

SBI, SBN 1, 2, 3, 4, 5, 10, 15, 20, 32, 45, 64, 90 series

**Vertical Multistage Centrifugal
In-line Pumps**

50Hz



Contents

Vertical multistage centrifugal in-line pumps



page	General data
2	SBI and SBN Performance range at 50Hz
3	Product data
4	Pump applications
5	Identification code, motor
6	Motor data, mechanical seal
7	Maximum operating pressure and inlet pressure
8	Construction
9	Construction

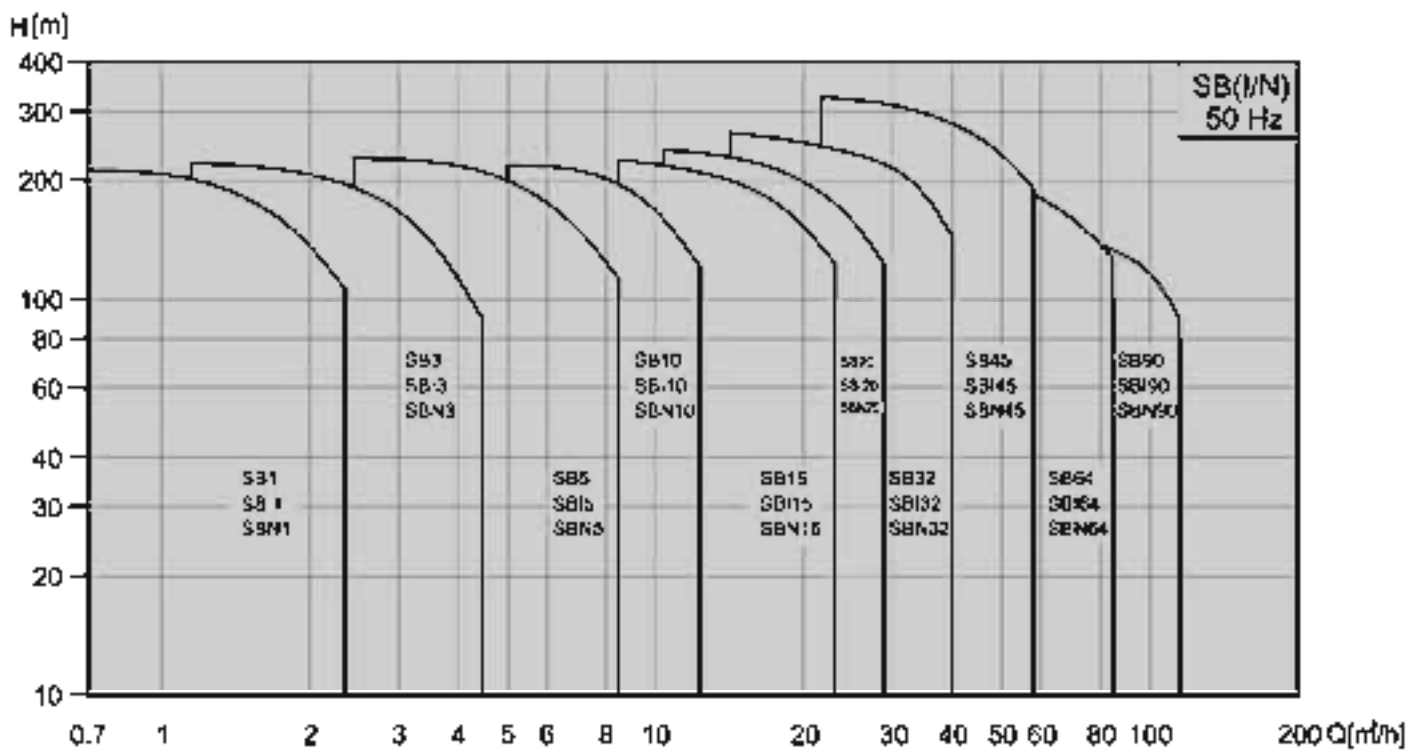
page	Performance curves / Technical data
10	SBI and SBN 1
12	SBI and SBN 2
14	SBI and SBN 3
16	SBI and SBN 4
18	SBI and SBN 5
20	SBI and SBN 10
22	SBI and SBN 15
24	SBI and SBN 20
26	SBI and SBN 32
28	SBI and SBN 45
30	SBI and SBN 64
32	SBI and SBN 90

General data

Vertical multistage centrifugal in-line pumps



SB, SBI, SBN Series Performance range 50 Hz



General data

Vertical multistage centrifugal in-line pumps



Product data

Range	SB, SBI, SBN									
	1	3	5	10	15	20	32	45	64	90
50Hz										
Nominal flow m ³ /h	1	3	5	10	15	20	32	45	64	90
Flow range (m ³ /h)	0.7-2.4	1.2-4.5	2.5-8.5	5-13	8.5-23.5	10.5-29	15-40	22-58	30-85	45-120
Max. pressure bar	21.5	23	24	21.5	23	24.3	27.5	33	21.8	20
Fluid temperature (°C)	-15 to +120									
Motor power kW	0.37-2.2	0.37-3	0.37-5.5	0.37-7.5	1.1-15	1.1-18.5	1.5-30	3-45	4-45	5.5-45
Version										
SB: Cast iron and stainless steel EN 1.4301/AISI 304	*	*	*	*	*	*	*	*	*	*
SBI: Stainless steel EN 1.4301/AISI 304	*	*	*	*	*	*	*	*	*	*
SBN: Stainless steel EN 1.4401/AISI 316	*	*	*	*	*	*	*	*	*	*
Motor										
Main connection 1' V/Hz (Permissible voltage tolerance ± 10%)	220-240 V 50 Hz									
Main connection 3' V/Hz (Permissible voltage tolerance ± 10%)	0.37-7.5 kW 220-240/380-415 V 50 Hz From 11 kW 380-415 V 50 Hz									
Insulation class	F									
Enclosure class	IP 55									
Ambient temperature	50° C									
SB Pipe Connection										
Flange	DN 25/ DN 32	DN 25/ DN 32	DN 25/ DN 32	DN 40	DN 50	DN 50	DN 65	DN 80	DN100	DN100
SBI, SBN Pipe Connection										
Flange	DN 25/ DN 32	DN 25/ DN 32	DN 25/ DN 32	DN 40	DN 50	DN 50	DN 65	DN 80	DN100	DN100
Victaulic-connections	R 1½ DN32	R 1½ DN 32	R 1½ DN 32	R 2 DN 50	R 2 DN 50	R 2 DN 50	N/A	N/A	N/A	N/A
Mechanical Seals										
SiC/SiC	Standard									
Seals										
EPDM	Standard									
Viton	Standard									

* Flange standards : Refer to dimensional drawings

General data

Vertical multistage centrifugal in-line pumps



Pump



The SB, SBI and SBN pumps are non-self priming vertical multistage pump of In-line design, flange or with Victaulic coupling with equally sized suction and discharge ports. Stage construction with stainless steel impellers, chambers and pressure casing. Pump stub shaft and motor shaft of the IEC-standards motor are directly close coupled. All pumps are equipped with a cartridge type mechanical seal for easy maintenance.

SB, SBI and SBN pumps have different pump sizes and various numbers of stages to provide the flow and the pressure required.

Applications

WATER SUPPLY AND PRESSURE BOOSTING

Pressure boosting in buildings, hotels, residential complexes
Pressure booster stations, supply of water networks
Pressure boosting for industrial water supply

IRRIGATION AND AGRICULTURE

Greenhouses
Sprinkler irrigation
Field irrigation (flooding)

LIGHT INDUSTRY

Washing and cleaning systems
Car washing facilities
Fire fighting systems
Process water systems
Machine tools (cooling lubricants)

WATER TREATMENT

Water softeners and de-mineralization
Reverse Osmosis systems
Distillation systems
Filtration
Ultra-filtration systems

HEATING, VENTILATION AND AIR-CONDITIONING

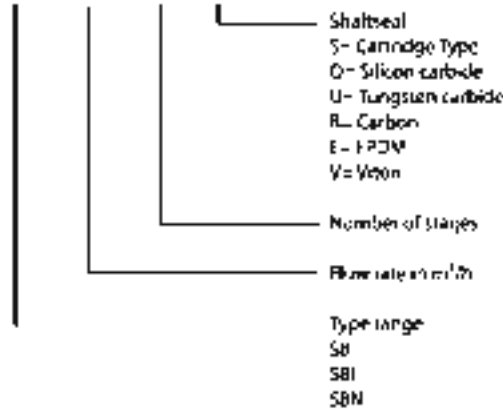
Boilers
Induction heating
Heat exchangers
Refrigerators
Cooling towers and systems
Temperature control systems

General data

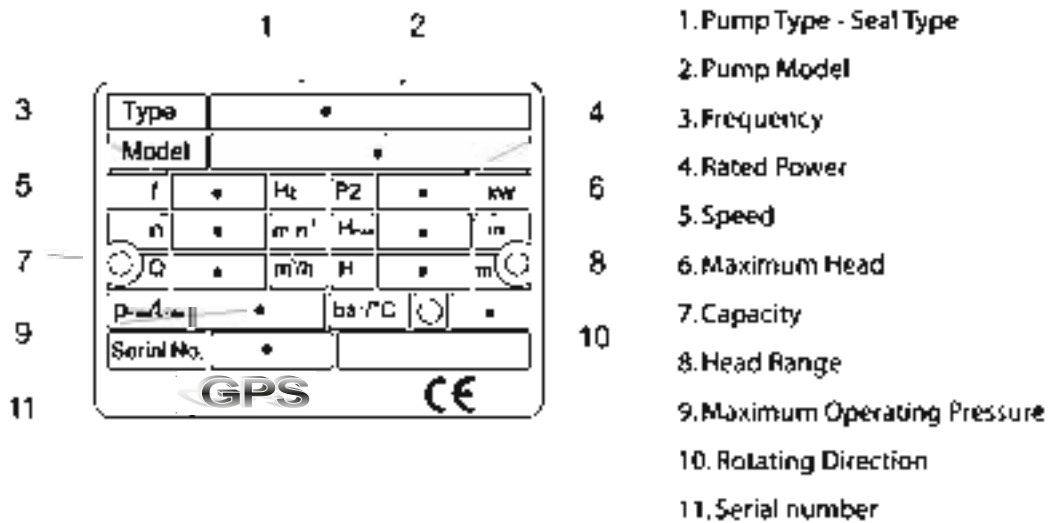
Vertical multistage centrifugal in-line pumps

Identification Code

SB - 10 - 5 - SQQE



Pump nameplate information



Motor

- Squirrel cage in short circuit, aluminum casing up to 22 kW, totally enclosed, fan-cooled, 2-pole standard motor.
- Standard supply Stairs motors up to 1.1 kW. Other motor brands for higher powers.
- Electrical data
 - ∴ Enclosure class: IP55
 - ∴ Insulation class: F
 - ∴ Standard voltages: P2: 0.37-7.5 KW: 3 x 220-240/380-415 V
 - ∴ P2: From 11 KW 3 x 380-415 V
- The motors have efficiency values that fall within the range normally referred to as high efficiency.
- Ambient temperature: Max. +50°C

General data

Vertical multistage centrifugal in-line pumps

Motor Data

Motor Type				Nominal current in [A]				
HP	KW	Pole	Flange	Frame	3*220 V	3*240 V	3*380 V	3*415 V
0.5	0.37	2	B14	71	1.7	2	1.1	1.3
0.75	0.55			71	2.5	2.8	1.5	1.7
1.0	0.75			80	3.5	3.9	2.1	2.3
1.5	1.1			90S	4.4	4.7	2.7	2.9
2.0	1.5			90L	5.9	5.7	3.4	3.3
3.0	2.2			90L	8.5	8	4.9	4.6
4.0	3.0			100L	11.4	11.4	6.6	6.6
5.5	4.0			112M	15.4	16.3	8.9	9.4
7.5	5.5			132S	20.8	20.8	12	12
10.0	7.5			132M	27.4	26.7	15.8	15.4
15	11			160M			21.2	20
20.0	15.0			160M			27.7	25.5
25	18.5			160L			35.2	32.4
30	22			180M			41.3	38.2
40	30			180L			54.2	50.4
50	37			200L			70.8	65.6
60	45			200L			83.1	78.2

Mechanical Seal

Standard Cartridge type mechanical seal made of Silicon Carbide/Silicon Carbide/EPDM or Viton. Based on the type of application, alternative materials are available for the seal and the elastomers. The cartridge type mechanical seal can be replaced in minutes without special tools and without dismantling the pump.



List of Materials

Q : Silicon carbide	E : EPDM
U : Tungsten carbide	V : Viton
B : Carbon	

Type of Seal

Seal Type	SB	SB1	SBN
	1/3/5/10/15/20 32/45/64/90	1/3/5/10/15/20 32/45/64/90	1/3/5/10/15/20 32/45/64/90
Mechanical Seals			
S : Cartridge sea	●	●	●
QQ	●	●	●
UU	Optional	Optional	Optional
QB	Optional	Optional	Optional
UB	Optional	Optional	Optional
Seals			
E	●	●	●
V	●	●	●

General data

Vertical multistage centrifugal in-line pumps



Maximum operating and inlet pressures

50Hz

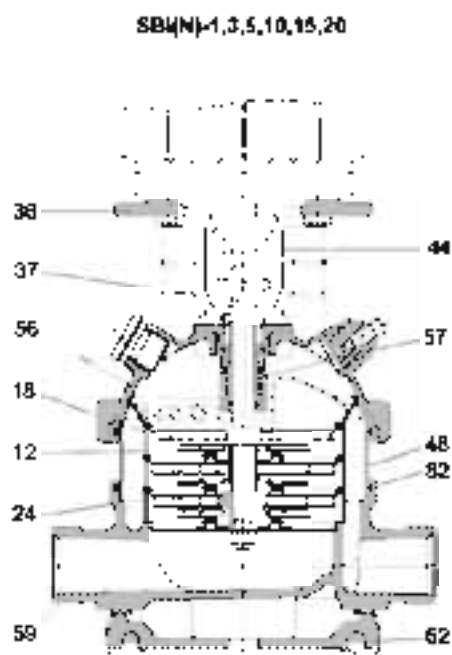
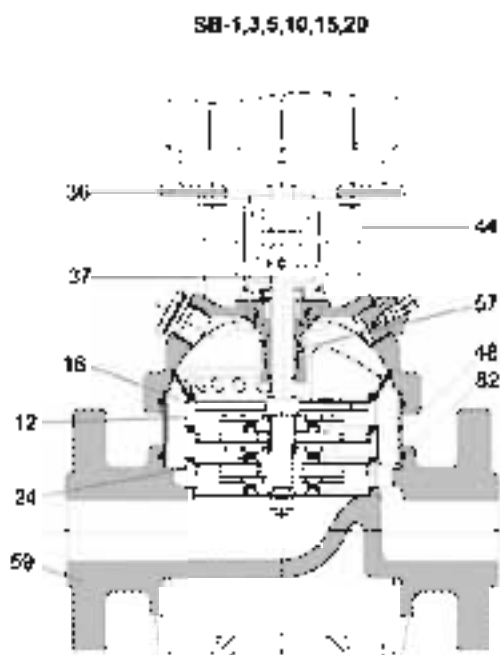
Stages	Maximum Operating Pressure	Stages	Maximum Inlet Pressures
SB, SBI, SBN 1			
2-36	25bar	2-36	10bar
SB, SBI, SBN 3			
2-36	25bar	2-29	10bar
		31-36	15bar
SB, SBI, SBN 5			
2-36	25bar	2-16	10bar
		18-36	15bar
SB, SBI, SBN 10			
1-16	16bar	1-6	8bar
17-22	25bar	7-22	10bar
SB, SBI, SBN 15			
1-10	16bar	1-3	8bar
12-17	25bar	4-17	10bar
SB, SBI, SBN 20			
1-10	16bar	1-3	8bar
12-17	25bar	4-17	10bar
SB, SBI, SBN 32			
(1-1)-7	16bar	(1-1)-4	4bar
(8-2)-14	30bar	(5-2)-10	10bar
		(11-2)-14	15bar
SB, SBI, SBN 45			
(1-1)-5	16bar	(1-1)-2	4bar
(6-2)-11	30bar	(3-2)-5	10bar
(12-2)-(13-2)	33bar	(6-2)-(13-2)	15bar
SB, SBI, SBN 64			
(1-1)-5	16bar	(1-1)-(2-2)	4bar
(8-2)-(8-1)	30bar	(2-1)-(4-2)	10bar
		(4-1)-(8-1)	15bar
SB, SBI, SBN 90			
(1-1)-4	16bar	(1-1)-1	4bar
(5-2)-6	30bar	(2-1)-(3-2)	10bar
		3-6	15bar

* Rule to follow: The inlet pressure + the pressure against a closed valve < Max. Operating pressure.

General data

Vertical multistage centrifugal in-line pumps

Construction



CONSTRUCTION

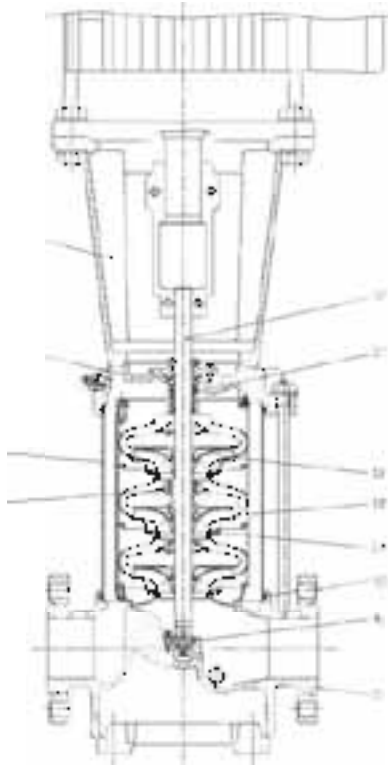
Pos.	Name	Material	SB 1,3,5,10,15,20		SB(N) 1,3,5,10,15,20		SBN 1,3,5,10,15,20	
			Standard		Standard		Standard	
			Europe	USA	Europe	USA	Europe	USA
36	Pump head	Cast iron	EN-GJL-200	ASTM 25B	EN-GJS-450-10	ASTM 65-45-12	EN-GJS-450-10	ASTM 65-45-12
56	Pump head cover	Stainless steel	N/A		1.4301	AISI 304	1.4401	AISI 316
18	Impeller	Stainless steel	1.4301	AISI 304	1.4301	AISI 304	1.4401	AISI 316
37	Shaft	Stainless steel	1.4057	AISI 431	1.4057	AISI 431	1.4401	AISI 316
48	Outer sleeve	Stainless steel	1.4301	AISI 304	1.4301	AISI 304	1.4401	AISI 316
82	O-ring for outer sleeve	EPDM						
12	Chamber	Stainless steel	1.4301	AISI 304	1.4301	AISI 304	1.4401	AISI 316
24	Neck ring	PTFE						
59	Base	Cast iron	EN-GJL-200	ASTM 25B	N/A			
	Base	Stainless steel	N/A		1.4301	AISI 304	1.4401	AISI 316
62	Base plate	Cast iron	N/A		EN-GJL-200	ASTM 25B	EN-GJL-200	ASTM 25B
44	Coupling	Fe-Cu-C	SINT C11	MPIF FC0525	SINT C11	MPIF FC0525	SINT C11	MPIF FC0525
57	Mechanical seal	Cartridge type						

General data

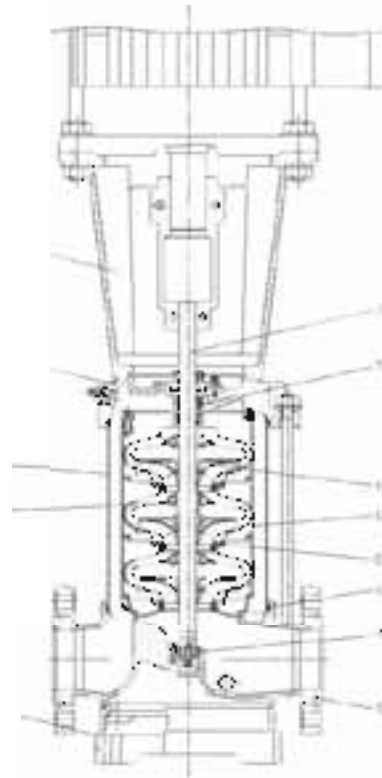
Vertical multistage centrifugal in-line pumps

Construction

SB-32,45,64,90



SB(N)-32,45,64,90



CONSTRUCTION

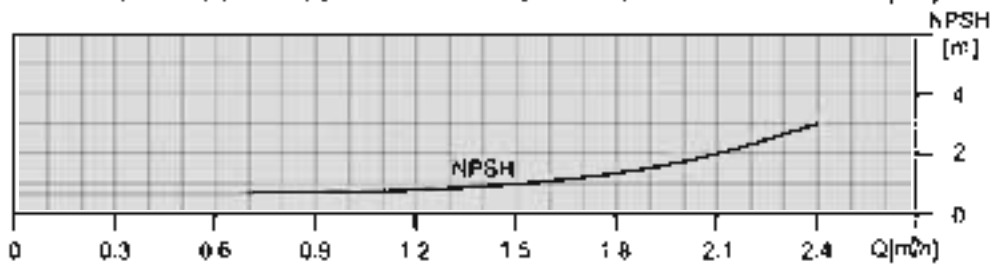
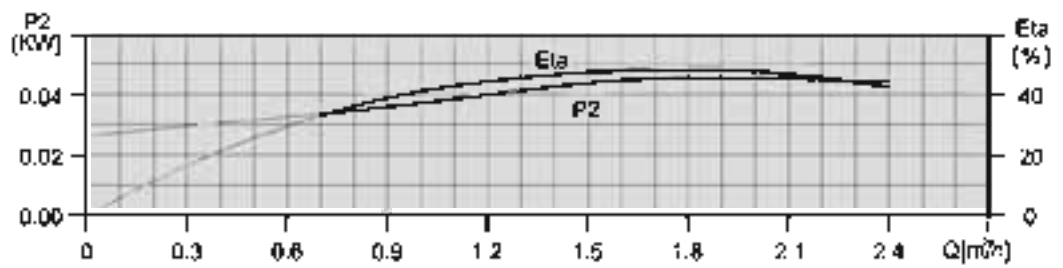
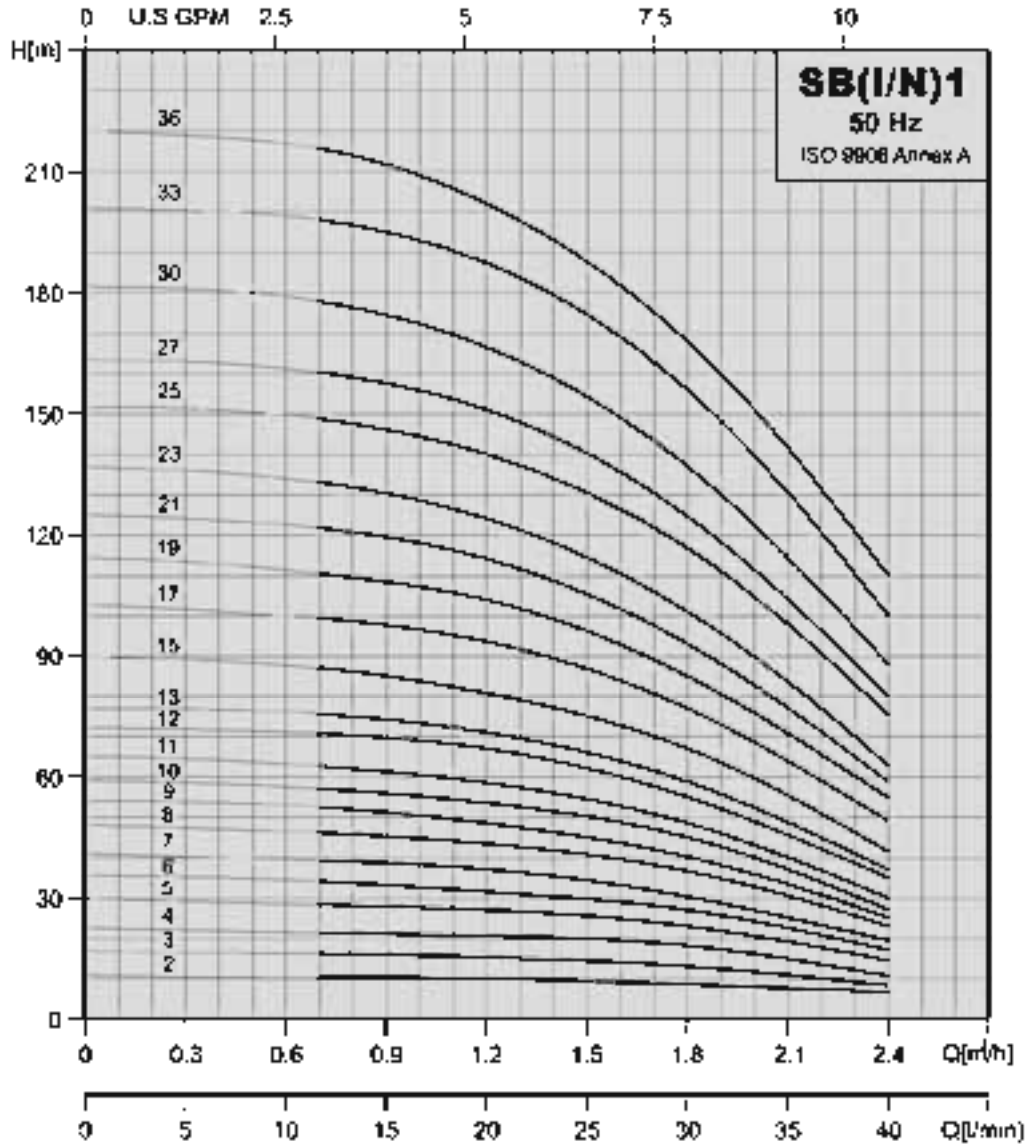
Pos.	Name	Material	SB 32, 45, 64, 90		SBI 32, 45, 64, 90		SBN 32, 45, 64, 90	
			Standard		Standard		Standard	
			Europe	USA	Europe	USA	Europe	USA
36	Pump head	Cast iron	EN-GJL-250	ASTM 35B				
		Stainless steel			1.4301	AISI 304	1.4401	AISI 316
53	Motor Bracket	Cast iron	EN-GJL-250	ASTM 35B	EN-GJL-250	ASTM 35B	EN-GJL-250	ASTM 35B
18	Impeller	Stainless steel	1.4301	AISI 304	1.4301	AISI 304	1.4401	AISI 316
37	Shaft	Stainless steel	1.4057	AISI 431	1.4057	AISI 431	1.4401	AISI 316
48	Outer Sleeve	Stainless steel	1.4301	AISI 304	1.4301	AISI 304	1.4401	AISI 316
82	O-ring for outer sleeve	EPDM						
12	Chamber	Stainless steel	1.4301	AISI 304	1.4301	AISI 304	1.4401	AISI 316
24	Neck ring	Carbon Fiber + POB + PTFE						
59	Base	Cast iron	EN-GJL-250	ASTM 35B	N/A			
	Base	Stainless steel	N/A		1.4301	AISI 304	1.4401	AISI 316
62	Base plate	Cast iron	N/A		EN-GJL-250	ASTM 35B	EN-GJL-250	ASTM 35B
57	Mechanical seal	Cartridge type						
14	Bearing ring		Bronze				POB + Graphite + PTFE	
42	Bottom bearing ring	Tungsten carbide/ Tungsten carbide						

Technical data

Vertical multistage centrifugal in-line pumps



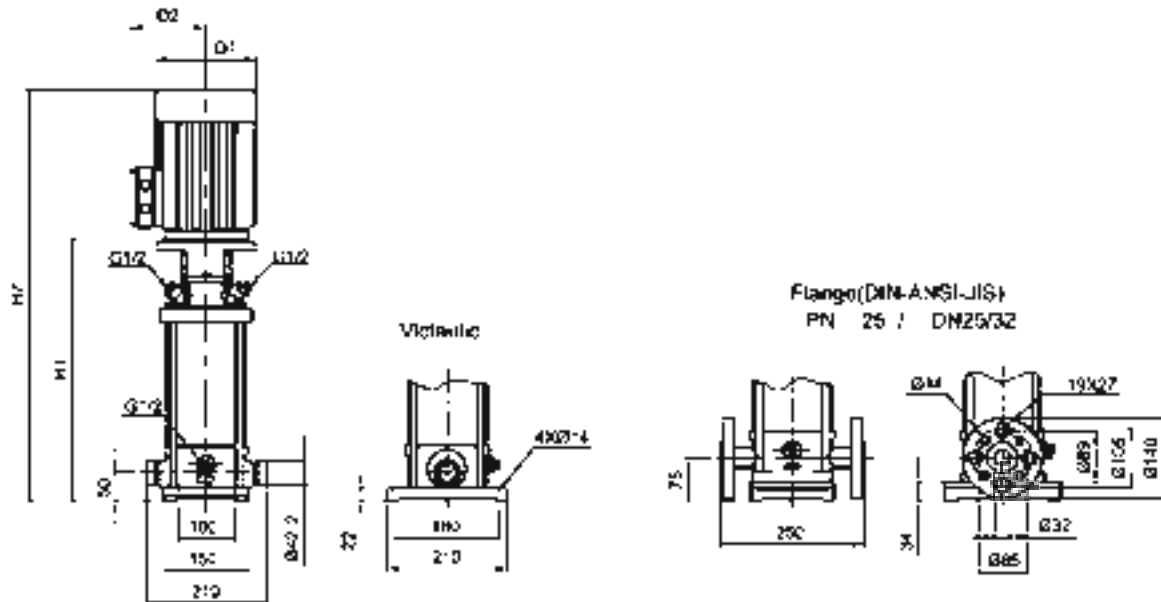
SBI, SBN 1



Technical data

Vertical multistage centrifugal in-line pumps

Dimensions and weights – SBI, SBN 1



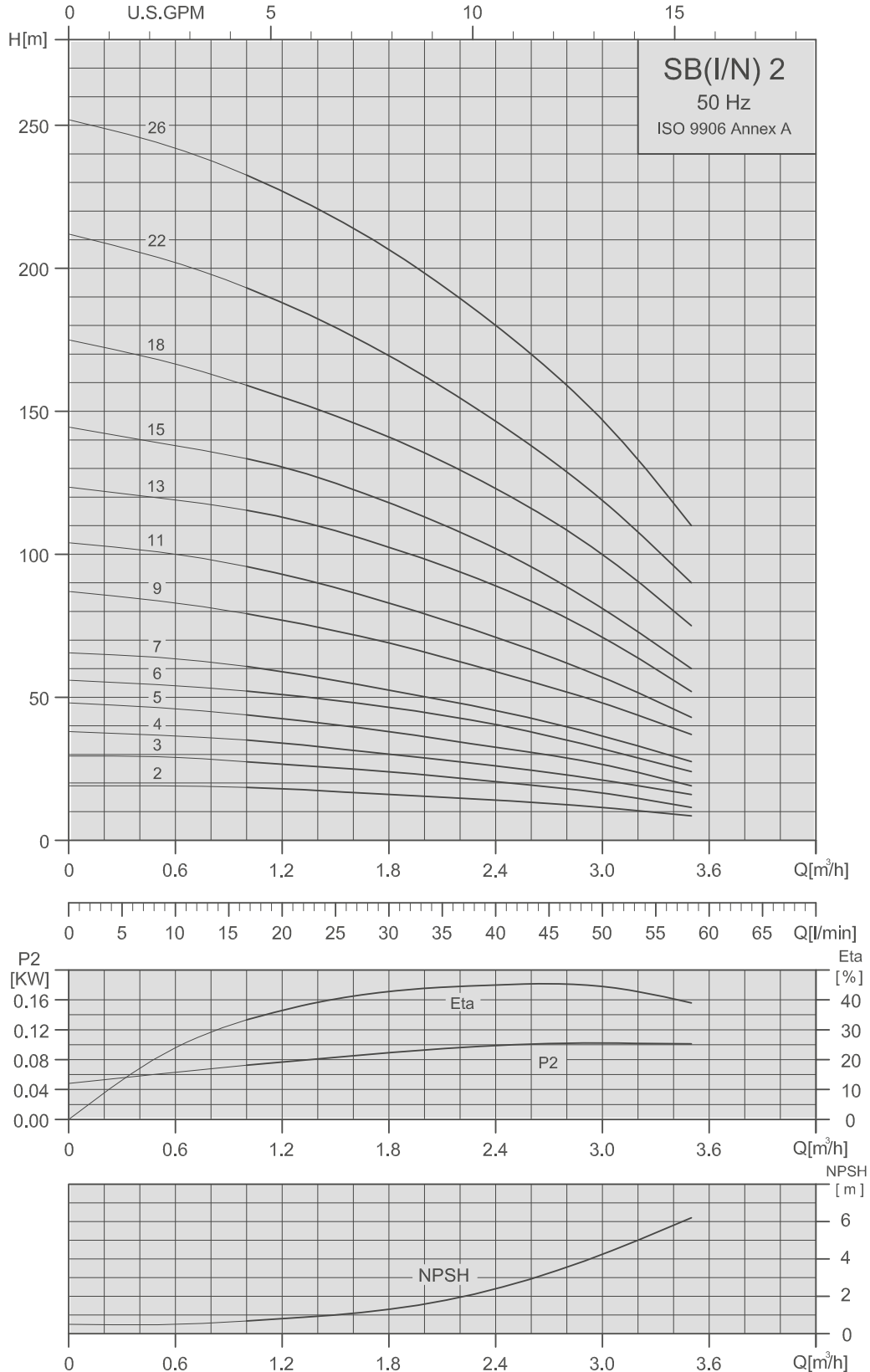
Pump type	Motor P, [KW]	SBI,SBN							
		Victaulic		Dimension [mm]		D1	D2	Net weight [kg]	
		H1	H2	H1	H2			Victaulic	DIN Range
SBI,SBN1-2	0.37	257	448	262	473	141	109	16	20
SBI,SBN1-3	0.37	257	448	262	473	141	109	16	21
SBI,SBN1-4	0.37	275	466	300	491	141	109	17	21
SBI,SBN1-5	0.37	293	484	318	509	141	109	17	21
SBI,SBN1-6	0.37	311	502	336	527	141	109	18	22
SBI,SBN1-7	0.37	329	520	354	545	141	109	18	22
SBI,SBN1-8	0.55	347	538	372	563	141	109	19	23
SBI,SBN1-9	0.55	365	556	390	581	141	109	20	24
SBI,SBN1-10	0.55	383	574	408	599	141	109	20	24
SBI,SBN1-11	0.55	401	592	426	617	141	109	20	24
SBI,SBN1-12	0.75	425	656	450	681	141	109	23	27
SBI,SBN1-13	0.75	443	674	468	699	141	109	23	28
SBI,SBN1-15	0.75	479	710	504	735	141	109	24	28
SBI,SBN1-17	1.1	515	746	540	771	141	109	27	31
SBI,SBN1-19	1.1	551	782	576	807	141	109	28	32
SBI,SBN1-21	1.1	587	818	612	843	141	109	29	33
SBI,SBN1-23	1.1	623	854	648	879	141	109	30	34
SBI,SBN1-25	1.5	675	850	700	975	175	140	37.5	41.0
SBI,SBN1-27	1.5	711	986	736	1011	175	140	38.2	41.8
SBI,SBN1-30	1.5	765	1040	790	1065	175	140	39.4	42.8
SBI,SBN1-33	2.2	819	1094	844	1119	175	140	42.5	46.0
SBI,SBN1-36	2.2	873	1148	898	1173	175	140	43.5	47.2

Technical data

Vertical multistage centrifugal in-line pumps



SBI, SBN 2

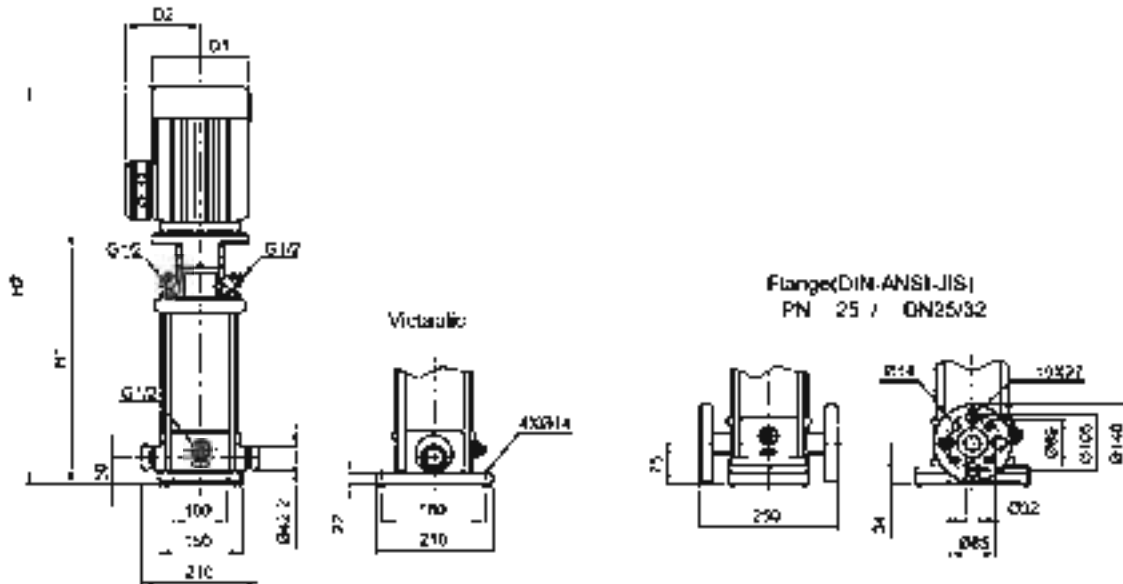


Technical data

Vertical multistage centrifugal in-line pumps



Dimensions and Weights - SBI, SBN 2



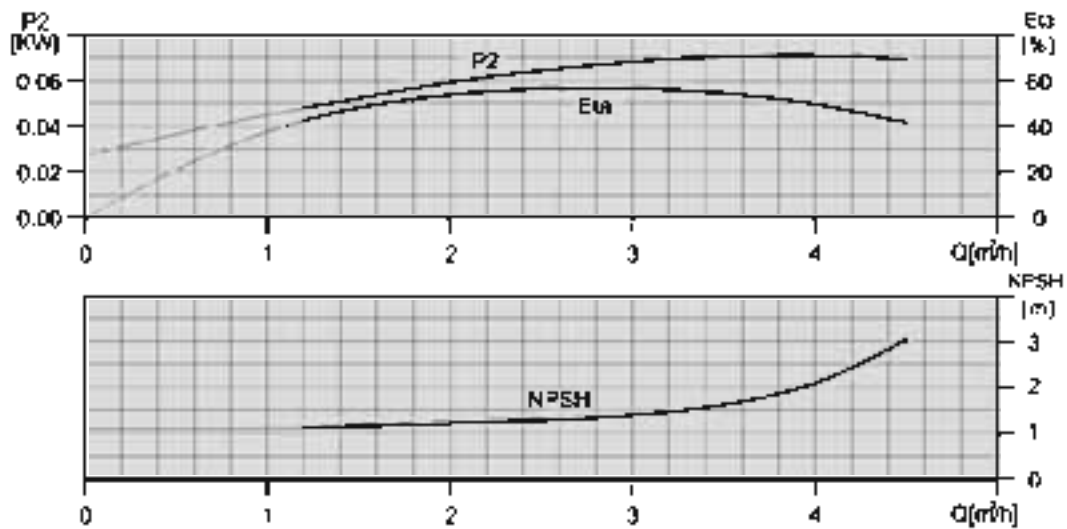
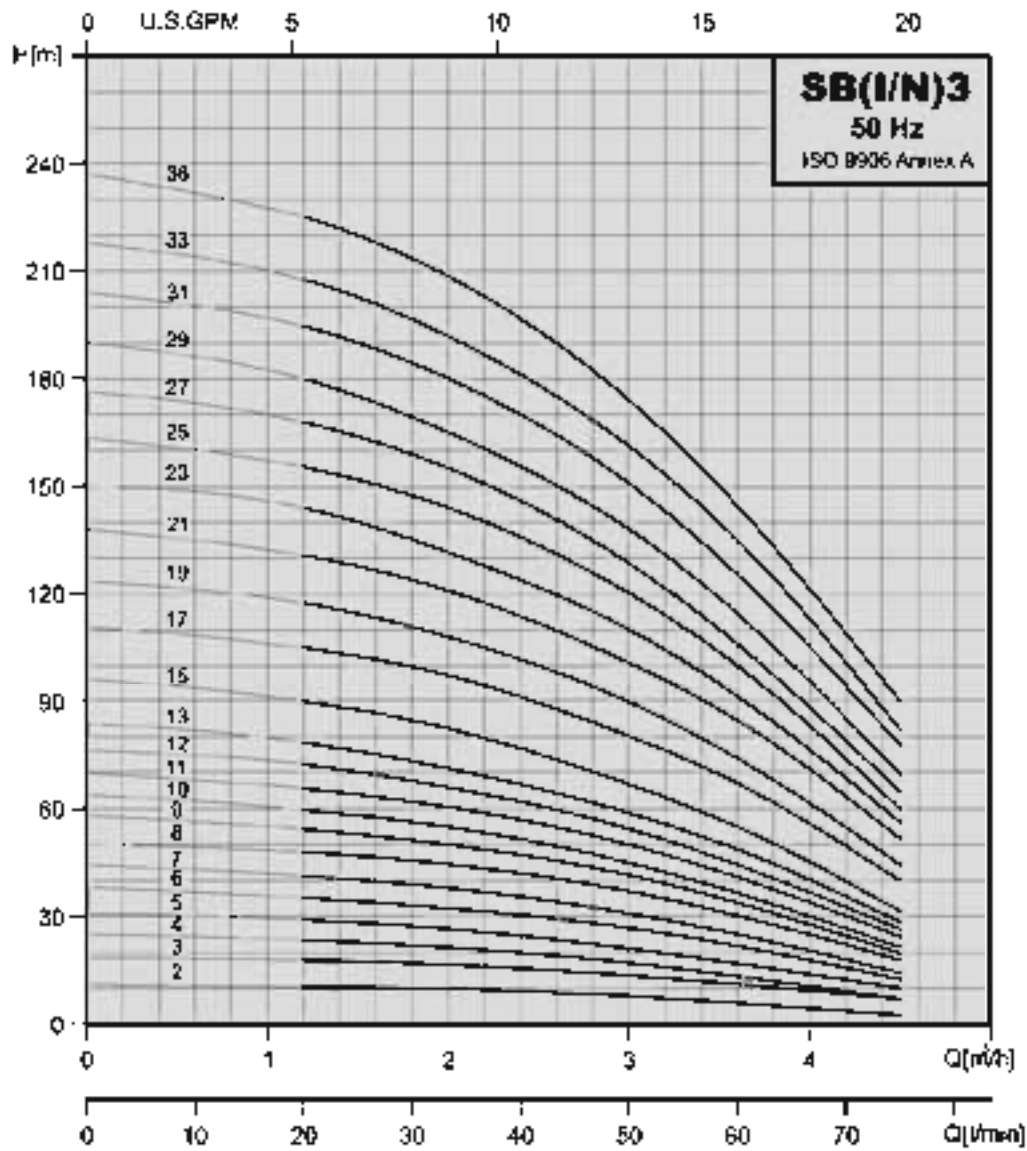
Pump Type	Motor P ₂ [KW]	SBI, SBN							
		Dimension[mm]						Net weight[kg]	
		Victaulic		Din flange		D1	D2	Victaulic	DIN Flange
H1	H2	H1	H2						
SBI,SBN 2-2	0.37	220	411	245	436	141	109	16	19
SBI,SBN 2-3	0.37	238	429	263	454	141	109	16	19
SBI,SBN 2-4	0.55	256	447	281	472	141	109	17	20
SBI,SBN 2-5	0.55	274	465	299	490	141	109	17	20
SBI,SBN 2-6	0.75	297	528	322	553	141	109	22	25
SBI,SBN 2-7	0.75	315	546	340	571	141	109	22	25
SBI,SBN 2-9	1.1	351	582	376	607	141	109	27	30
SBI,SBN 2-11	1.1	387	618	412	643	141	109	27	30
SBI,SBN 2-13	1.5	440	715	465	740	175	140	32	35
SBI,SBN 2-15	1.5	476	751	501	776	175	140	32	35
SBI,SBN 2-18	2.2	530	805	555	830	175	140	37	40
SBI,SBN 2-22	2.2	602	877	627	902	175	140	42	45
SBI,SBN 2-26	3	682	1002	707	1027	196	148	47	50

Technical data

Vertical multistage centrifugal in-line pumps



SBI, SBN 3

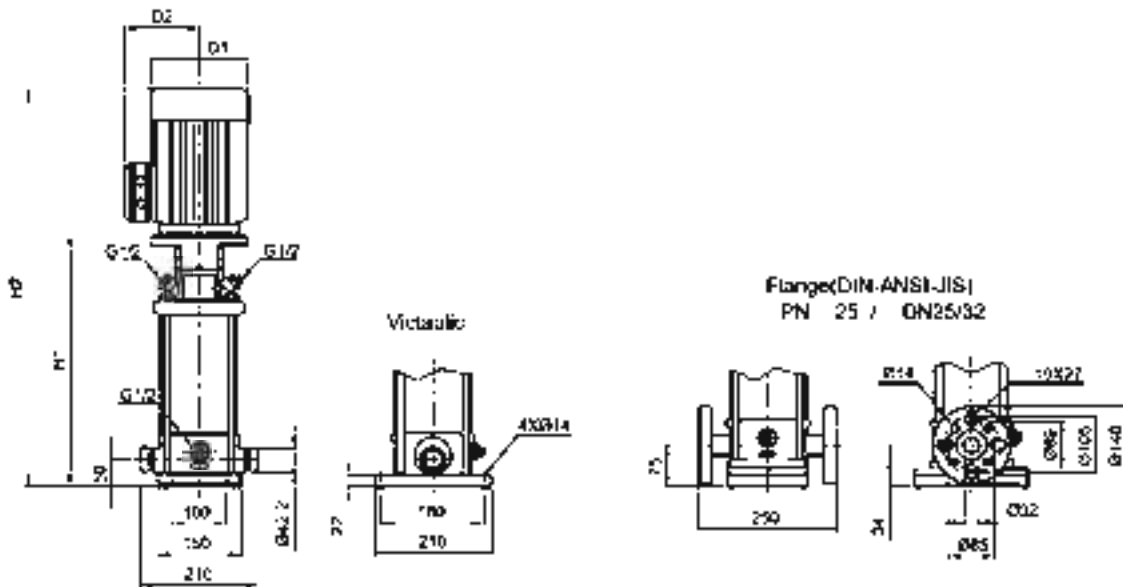


Technical data

Vertical multistage centrifugal in-line pumps



Dimensions and weights - SBI, SBN 3



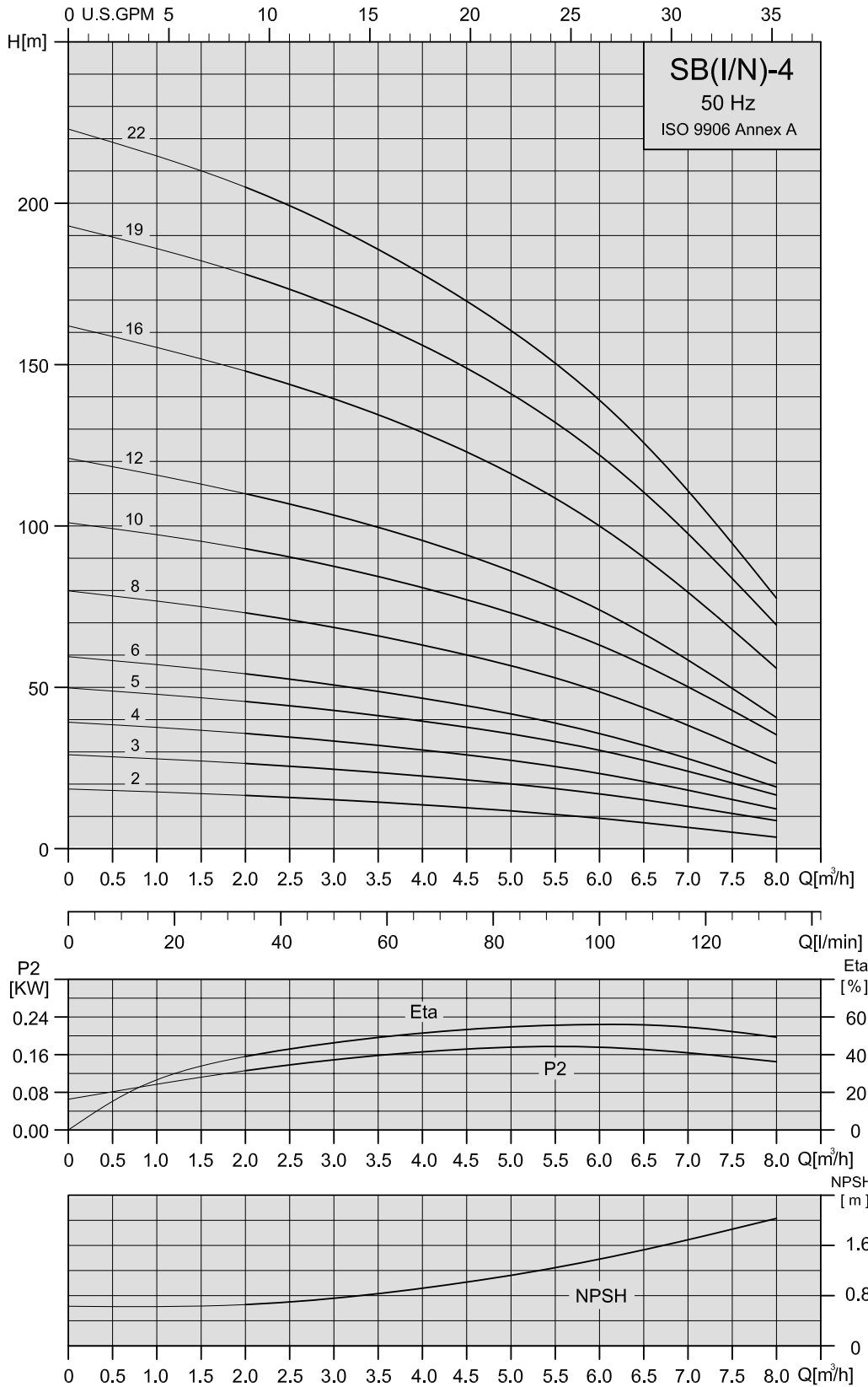
Pump type	Motor P ₁ [KW]	SBI, SBN							
		Victaulic		Dimension [mm]				Net weight [kg]	
		H1	H2	H1	H2	D1	D2	Victaulic	DIN flange
SBI, SBN3-2	0.37	257	448	282	473	141	109	16	19
SBI, SBN3-3	0.37	257	448	282	473	141	109	16	19
SBI, SBN3-4	0.37	275	466	300	491	141	109	17	19
SBI, SBN3-5	0.37	293	484	318	509	141	109	17	20
SBI, SBN3-6	0.55	311	502	336	527	141	109	18	21
SBI, SBN3-7	0.55	329	520	354	545	141	109	19	21
SBI, SBN3-8	0.75	353	584	378	609	141	109	21	24
SBI, SBN3-9	0.75	371	602	396	627	141	109	22	24
SBI, SBN3-10	0.75	389	620	414	645	141	109	22	25
SBI, SBN3-11	1.1	407	638	432	663	141	109	25	27
SBI, SBN3-12	1.1	425	656	450	681	141	109	25	28
SBI, SBN3-13	1.1	443	674	468	699	141	109	26	28
SBI, SBN3-15	1.1	479	710	504	735	141	109	26	29
SBI, SBN3-17	1.5	531	806	556	831	175	140	34.5	38.1
SBI, SBN3-19	1.5	567	842	592	867	175	140	35.3	38.8
SBI, SBN3-21	2.2	603	878	628	903	175	140	38.0	41.6
SBI, SBN3-23	2.2	639	914	664	939	175	140	38.8	42.3
SBI, SBN3-25	2.2	675	950	700	975	175	140	39.5	43.1
SBI, SBN3-27	2.2	711	986	736	1011	175	140	40.3	43.8
SBI, SBN3-29	2.2	747	1022	772	1047	175	140	41.0	44.6
SBI, SBN3-31	3	787	1107	812	1132	196	148	48.2	51.8
SBI, SBN3-33	3	823	1143	848	1168	196	148	49.1	52.5
SBI, SBN3-36	3	877	1197	902	1222	196	148	50.1	53.7

Technical data

Vertical multistage centrifugal in-line pumps



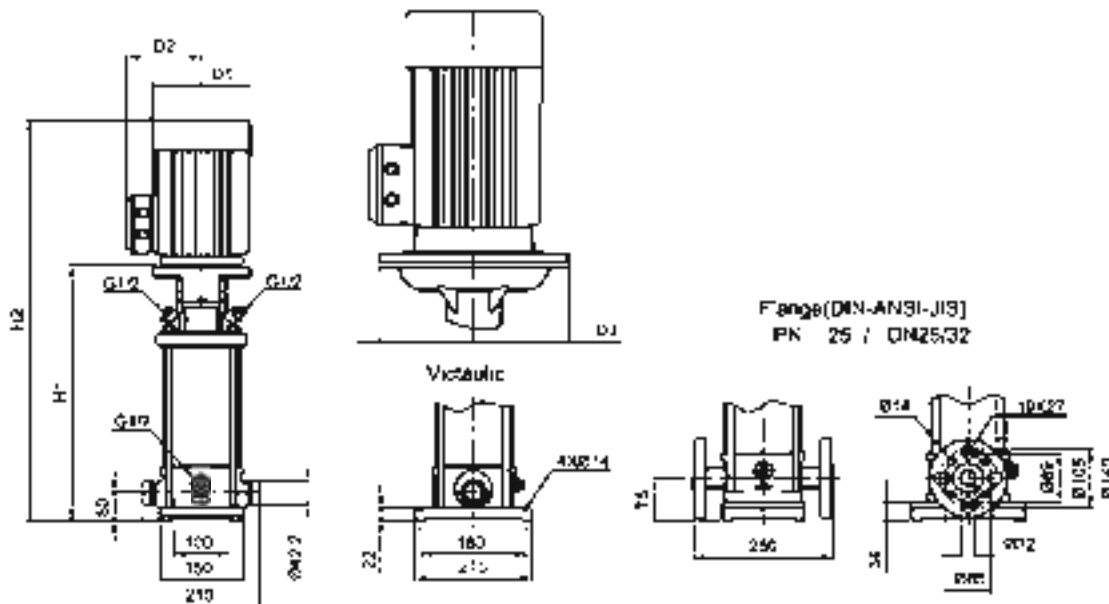
SBI, SBN 4



Technical data

Vertical multistage centrifugal in-line pumps

Dimensions and Weights - SBI, SBN 4



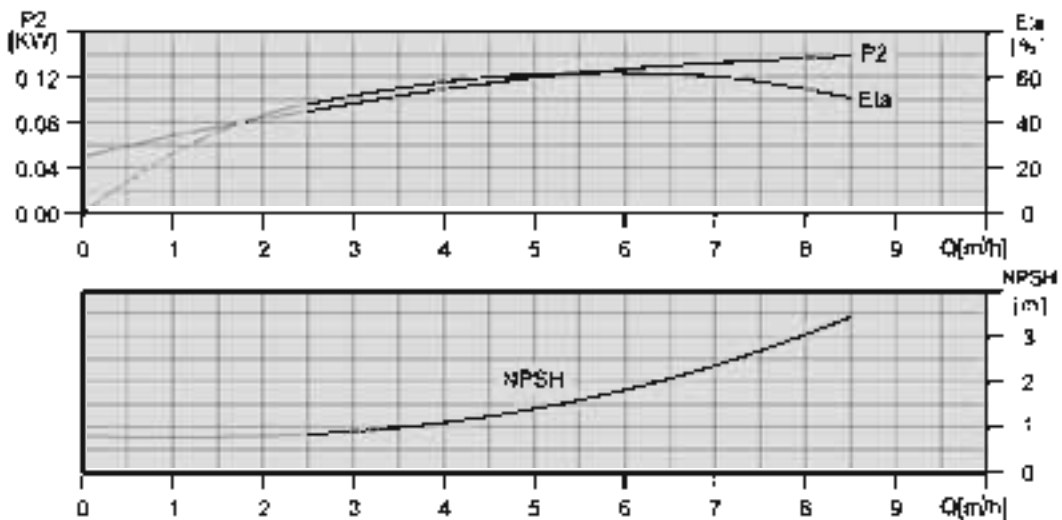
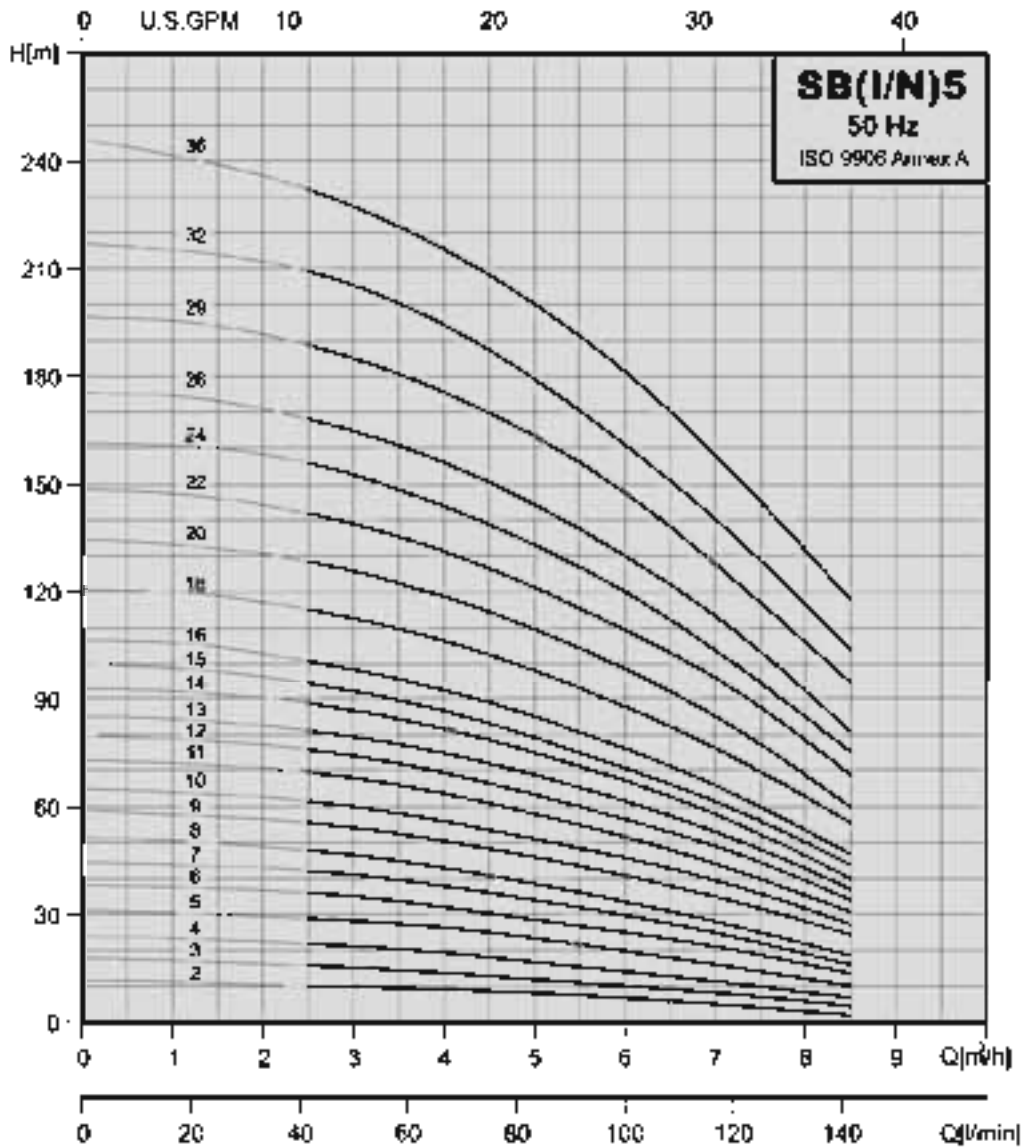
Pump Type	Motor	SBI, SBN							
		Dimension[mm]						Net weight[kg]	
	P ₂ [KW]	Victaulic		Din flange		D1	D2	Victaulic	DIN Flange
		H1	H2	H1	H2				
SBI,SBN 4-2	0.37	238	429	263	454	141	109	17	20
SBI,SBN 4-3	0.55	265	456	290	481	141	109	17	20
SBI,SBN 4-4	0.75	297	528	322	553	141	109	18	21
SBI,SBN 4-5	1.1	324	555	349	580	141	109	22	25
SBI,SBN 4-6	1.1	351	582	376	607	141	109	22	25
SBI,SBN 4-8	1.5	422	697	447	722	175	140	27	30
SBI,SBN 4-10	2.2	476	751	501	776	175	140	29	32
SBI,SBN 4-12	2.2	530	805	555	830	175	140	29	32
SBI,SBN 4-16	3.0	646	966	671	991	196	148	32	35
SBI,SBN 4-19	4.0	727	1062	752	1087	219	162	36	39
SBI,SBN 4-22	4.0	808	1143	833	1168	219	162	37	40

Technical data

Vertical multistage centrifugal in-line pumps



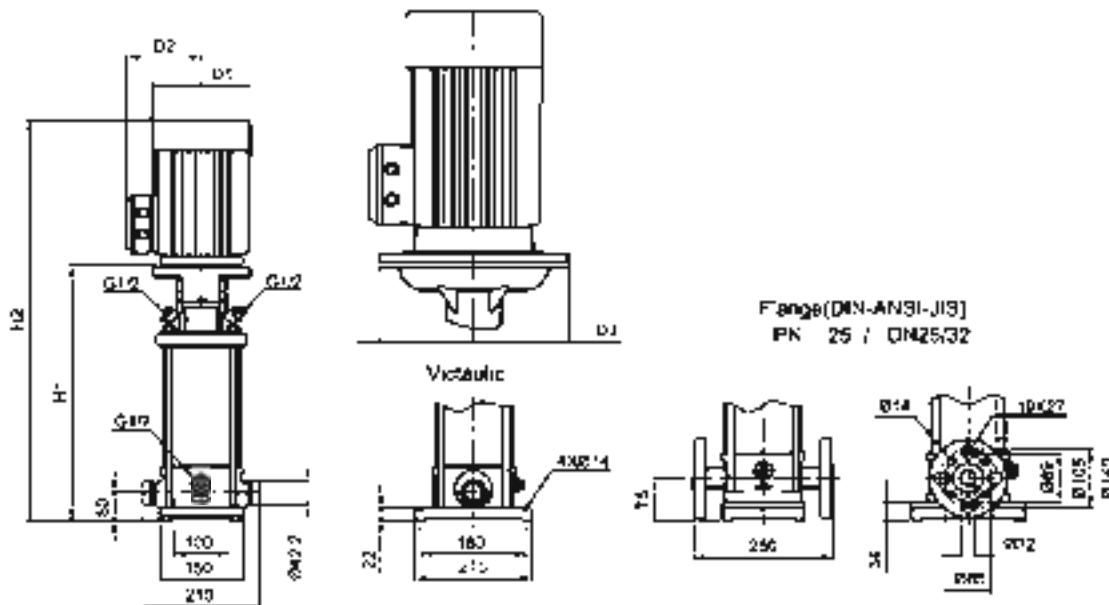
SBI, SBN 5



Technical data

Vertical multistage centrifugal in-line pumps

Dimensions and weights – SBI, SBN 5



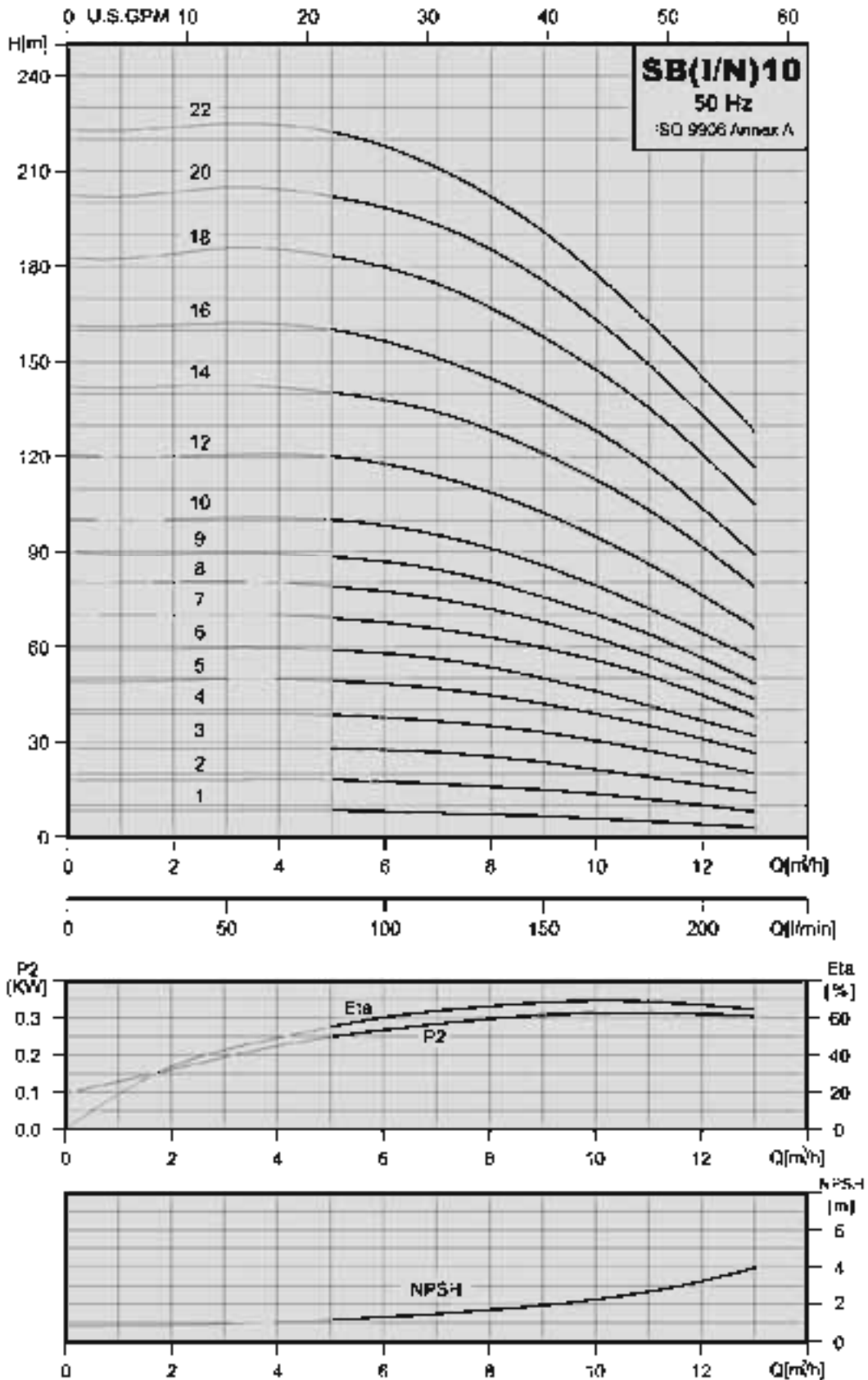
Pump type	Motor P _r (KW)	SBI,SBN							Net weight(kg)		
		Dimension(mm)					D1	D2	D3	Victaulic	DIN flange
		Victaulic		DIN flange							
H1	H2	H1	H2								
SBI,SBN5-2	0,37	257	448	282	473	141	109	—	18	21	
SBI,SBN5-3	0,55	264	475	309	500	141	109	—	18	22	
SBI,SBN5-4	0,55	311	502	336	527	141	109	—	18	22	
SBI,SBN5-5	0,75	344	575	369	600	141	109	—	21	25	
SBI,SBN5-6	1,1	371	602	396	627	141	109	—	24	28	
SBI,SBN5-7	1,1	398	629	423	654	141	109	—	24	28	
SBI,SBN5-8	1,1	425	656	450	681	141	109	—	25	29	
SBI,SBN5-9	1,5	468	743	493	768	175	140	—	32,5	36,5	
SBI,SBN5-10	1,5	495	770	520	795	175	140	—	33,5	37,1	
SBI,SBN5-11	2,2	522	797	547	822	175	140	—	36,1	39,6	
SBI,SBN5-12	2,2	549	824	574	849	175	140	—	36,7	40,2	
SBI,SBN5-13	2,2	576	851	601	876	175	140	—	37,2	40,8	
SBI,SBN5-14	2,2	603	878	628	903	175	140	—	37,8	41,3	
SBI,SBN5-15	2,2	630	905	655	930	175	140	—	38,4	41,9	
SBI,SBN5-16	2,2	657	932	682	957	175	140	—	39,0	42,5	
SBI,SBN5-18	3	715	1035	740	1060	196	148	—	46,5	50,1	
SBI,SBN5-20	3	769	1089	794	1114	196	148	—	47,7	51,2	
SBI,SBN5-22	4	823	1158	848	1183	219	162	—	55,8	58,4	
SBI,SBN5-24	4	877	1212	902	1237	219	162	—	57,0	60,5	
SBI,SBN5-26	4	931	1266	956	1291	219	162	—	58,1	61,6	
SBI,SBN5-29	4	1012	1347	1037	1372	219	162	—	59,8	63,4	
SBI,SBN5-32	5,5	1123	1483	1148	1508	234	199	300	60,2	83,7	
SBI,SBN5-36	5,5	1231	1591	1258	1616	234	199	300	62,5	86,0	

Technical data

Vertical multistage centrifugal in-line pumps



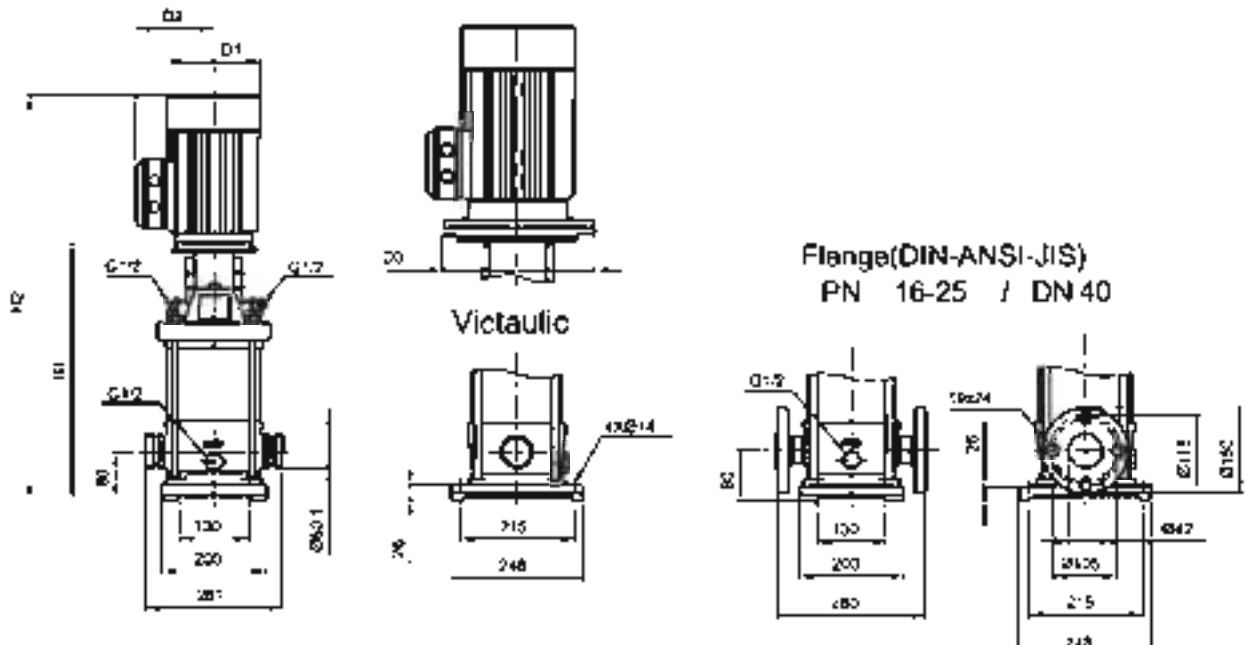
SBI, SBN 10



Technical data

Vertical multistage centrifugal in-line pumps

Dimensions and weights – SBI, SBN 10



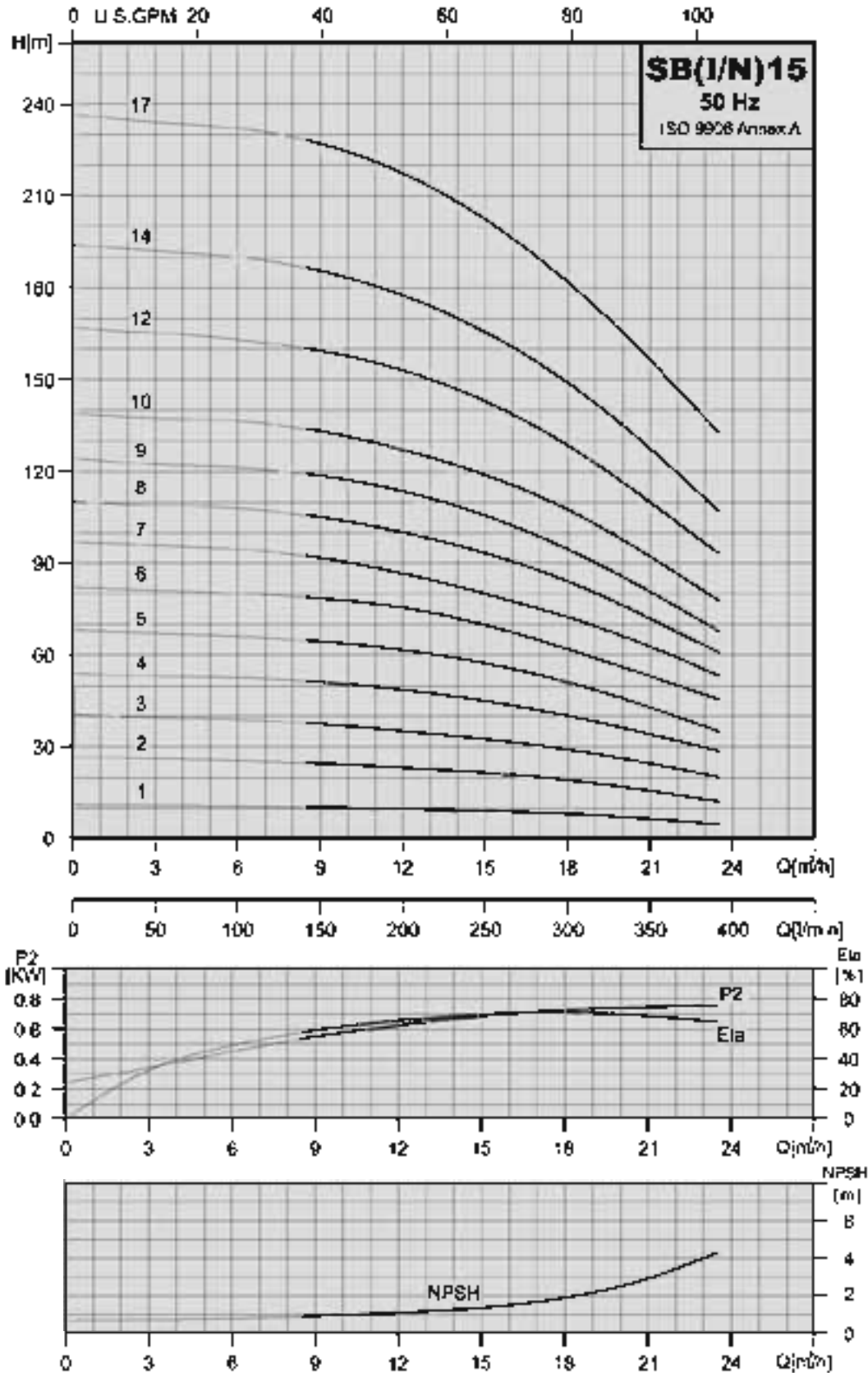
Pump type	Motor P ₁ [KW]	SBI,SBN								
		Dimension[mm]						Net weight[kg]		
		Victaulic		DIN flange		D1	D2	D3	Victaulic	DIN flange
H1	H2	H1	H2							
SBI,SBN10-1	0.37	353	544	353	544	141	109	—	28	32
SBI,SBN10-2	0.75	357	588	357	588	141	109	—	31	34
SBI,SBN10-3	1.1	387	618	387	618	141	109	—	34	38
SBI,SBN10-4	1.5	433	708	433	708	175	140	—	43.6	47.1
SBI,SBN10-5	2.2	463	738	463	738	175	140	—	46.6	50.1
SBI,SBN10-6	2.2	493	788	493	768	175	140	—	47.6	51.1
SBI,SBN10-7	3	528	848	528	848	196	148	—	54.4	57.9
SBI,SBN10-8	3	558	878	558	878	196	148	—	55.4	59.0
SBI,SBN10-9	3	588	908	588	908	196	148	—	56.5	60.0
SBI,SBN10-10	4	618	953	618	953	219	162	—	64.5	68.0
SBI,SBN10-12	4	678	1013	678	1013	219	162	—	66.5	70.0
SBI,SBN10-14	5.5	770	1130	770	1130	234	199	300	93.4	98.9
SBI,SBN10-16	5.5	830	1190	830	1190	234	199	300	95.4	99.0
SBI,SBN10-18	7.5	890	1290	890	1290	234	199	300	106.5	110.0
SBI,SBN10-20	7.5	950	1350	950	1350	234	199	300	108.5	112.0
SBI,SBN10-22	7.5	1010	1410	1010	1410	234	199	300	110.6	114.1

Technical data

Vertical multistage centrifugal in-line pumps



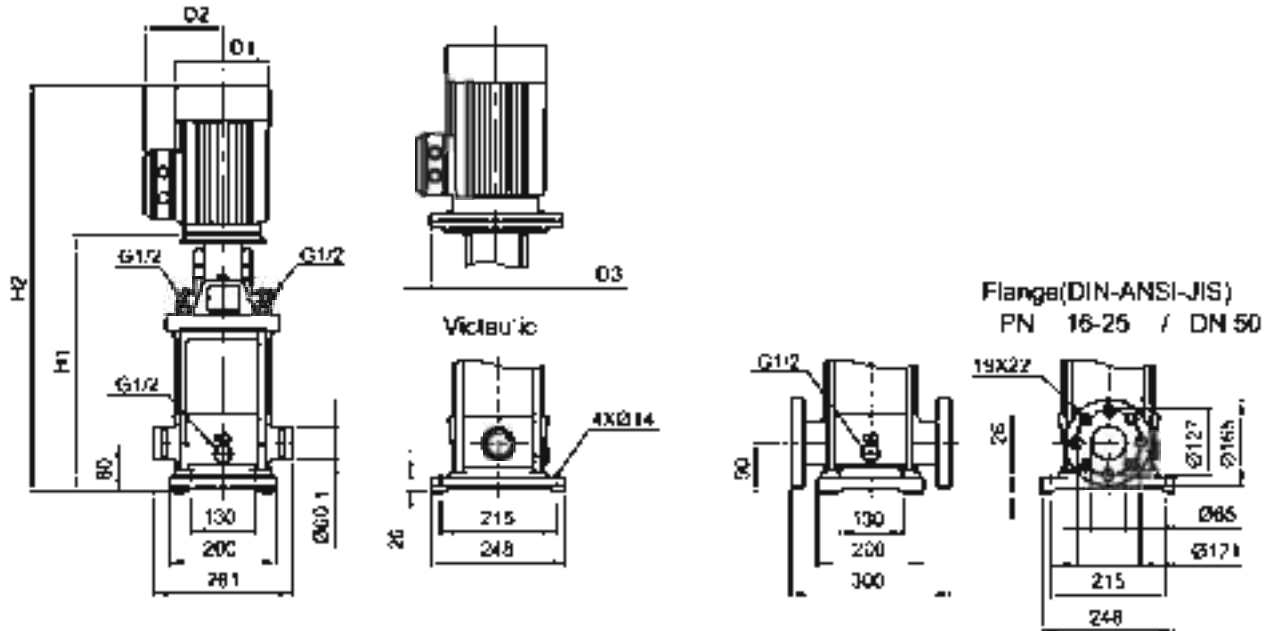
SBI, SBN 15



Technical data

Vertical multistage centrifugal in-line pumps

Dimensions and weights – SBI, SBN 15



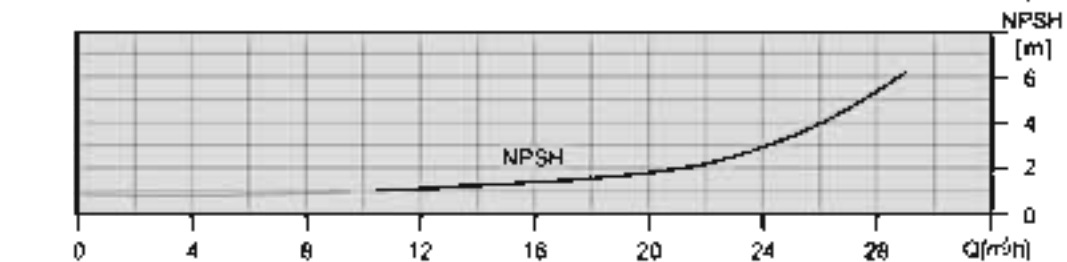
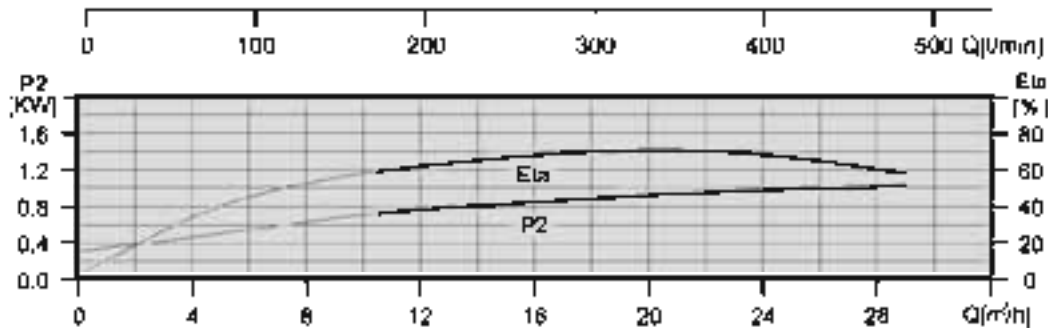
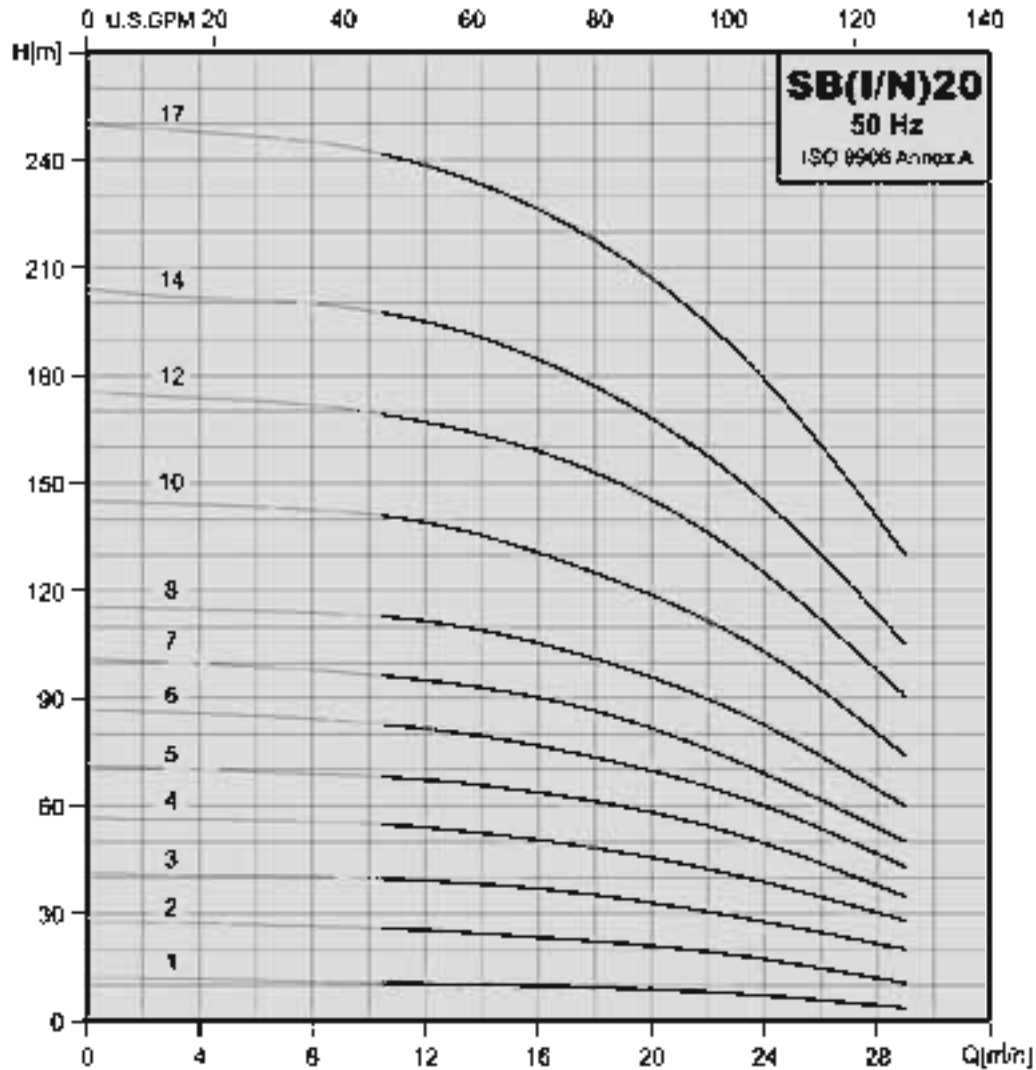
Pump type	Motor P ₂ (KW)	SBI, SBN								
		Dimension [mm]				Net weight [kg]				
		Victaulic		DIN flange		D1	D2	D3	Victaulic	DIN flange
H1	H2	H1	H2							
SB: SBN15-1	1.1	387	618	387	628	141	109	—	34	42
SB: SBN15-2	2.2	403	678	413	688	175	140	—	44.3	48.8
SB: SBN15-3	3	453	773	463	783	196	148	—	51.5	56.0
SB: SBN15-4	4	488	833	508	843	219	162	—	59.9	64.4
SB: SBN15-5	4	543	878	553	888	219	162	—	61.3	65.8
SB: SBN15-6	5.5	620	980	630	990	234	199	300	87.5	92.1
SB: SBN15-7	5.5	665	1025	675	1035	234	199	300	89.0	93.5
SB: SBN15-8	7.5	710	1110	720	1120	234	199	300	99.4	103.9
SB: SBN15-9	7.5	755	1155	765	1165	234	199	300	100.8	105.3
SB: SBN15-10	11	877	1322	887	1332	268	215	350	132.4	136.9
SB: SBN15-12	11	967	1412	977	1422	268	215	350	135.2	139.7
SB: SBN15-14	11	1057	1502	1067	1512	268	215	350	138.0	142.5
SB: SBN15-17	15	1192	1681	1202	1691	268	215	350	153.2	157.7

Technical data

Vertical multistage centrifugal in-line pumps



SBI, SBN 20

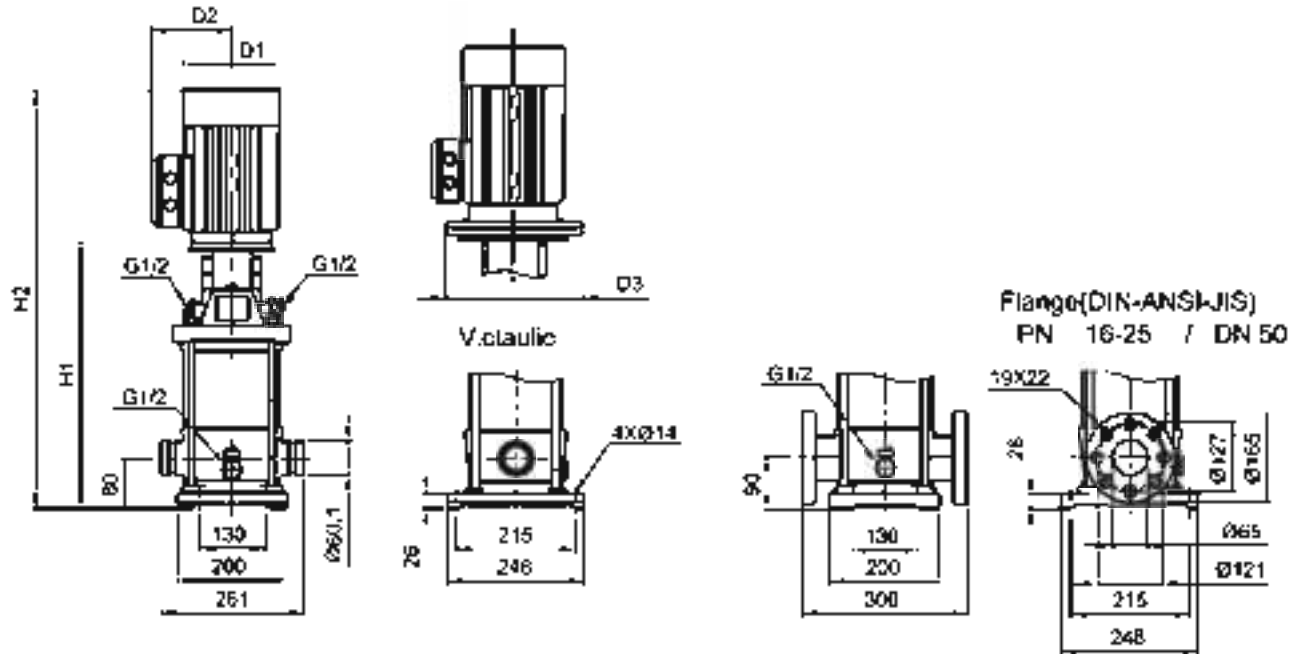


Technical data

Vertical multistage centrifugal in-line pumps



Dimensions and weights – SBI, SBN 20



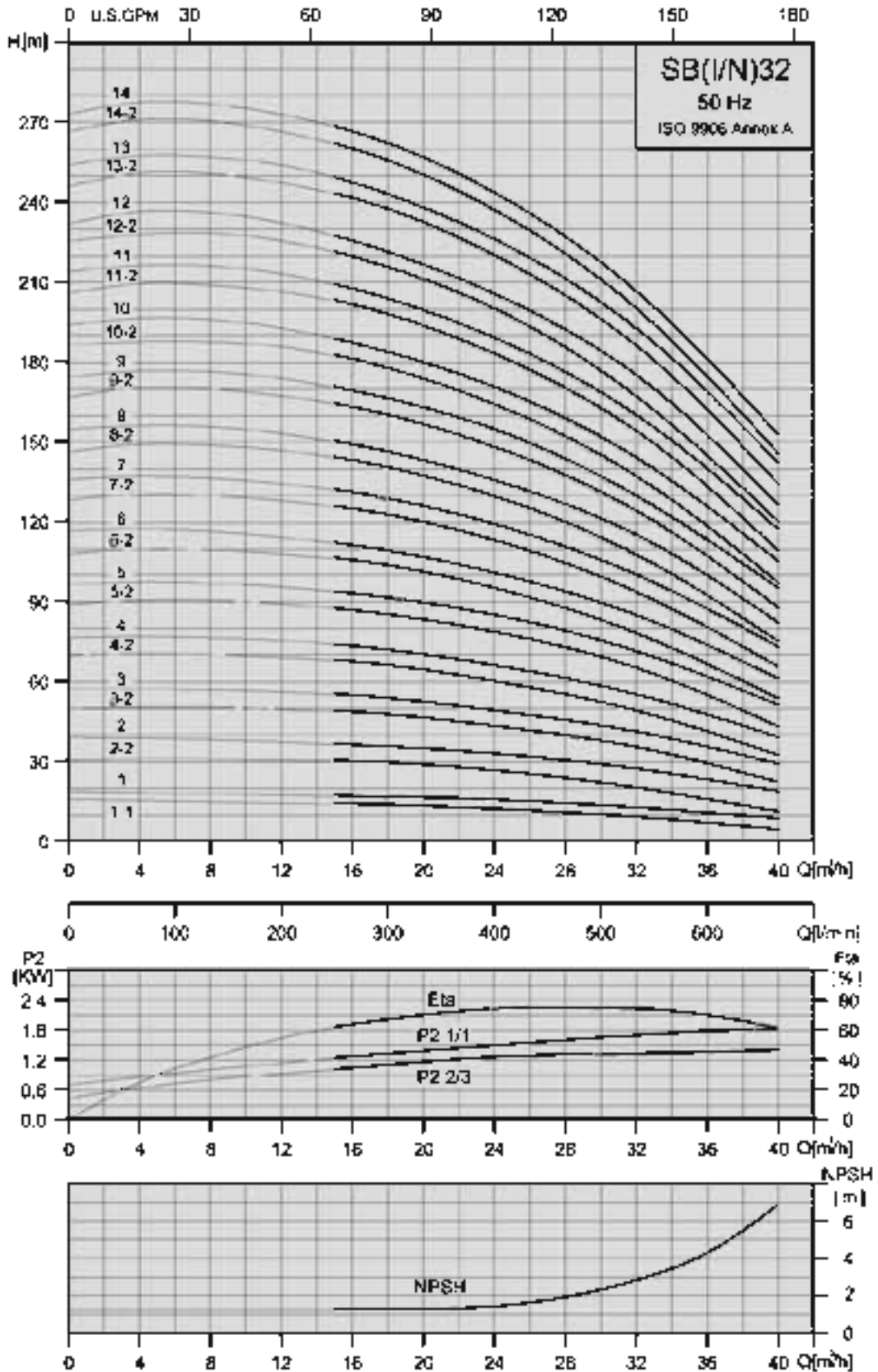
Pump type	Motor P _e [KW]	SBI, SBN								
		Dimension [mm]						Net weight [kg]		
		Victaulic		DRN flange		D1	D2	D3	Victaulic	DRN flange
H1	H2	H1	H2							
SBI, SBN20-1	1.1	387	618	397	628	141	109	—	34	39
SBI, SBN20-2	2.2	403	678	413	688	175	140	—	44.3	48.8
SBI, SBN20-3	4	453	788	463	798	219	162	—	58.5	63.5
SBI, SBN20-4	5.5	530	890	540	900	234	199	300	84.8	89.3
SBI, SBN20-5	5.5	575	935	585	945	234	199	300	86.2	90.7
SBI, SBN20-6	7.5	620	1020	630	1030	234	199	300	96.6	101.1
SBI, SBN20-7	7.5	665	1065	675	1075	234	199	300	98.0	102.5
SBI, SBN20-8	11	767	1232	797	1242	255	215	350	129.6	134.1
SBI, SBN20-10	11	877	1322	867	1332	255	215	350	132.4	136.9
SBI, SBN20-12	15	967	1456	977	1466	255	215	350	146.2	150.7
SBI, SBN20-14	15	1057	1546	1067	1556	285	215	350	149.0	153.5
SBI, SBN20-17	18.5	1192	1727	1202	1737	317	242	350	188.2	192.7

Technical data

Vertical multistage centrifugal in-line pumps



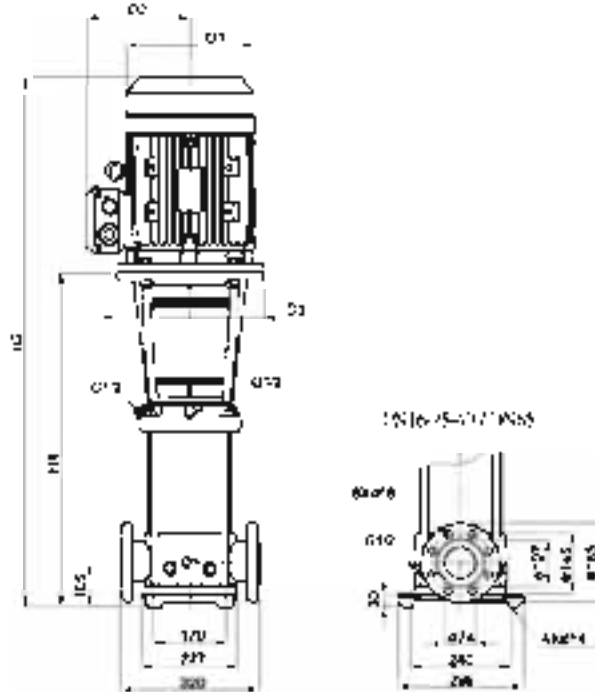
SB1, SBN 32



Technical data

Vertical multistage centrifugal in-line pumps

Dimensions and weights-SBI,SBN32



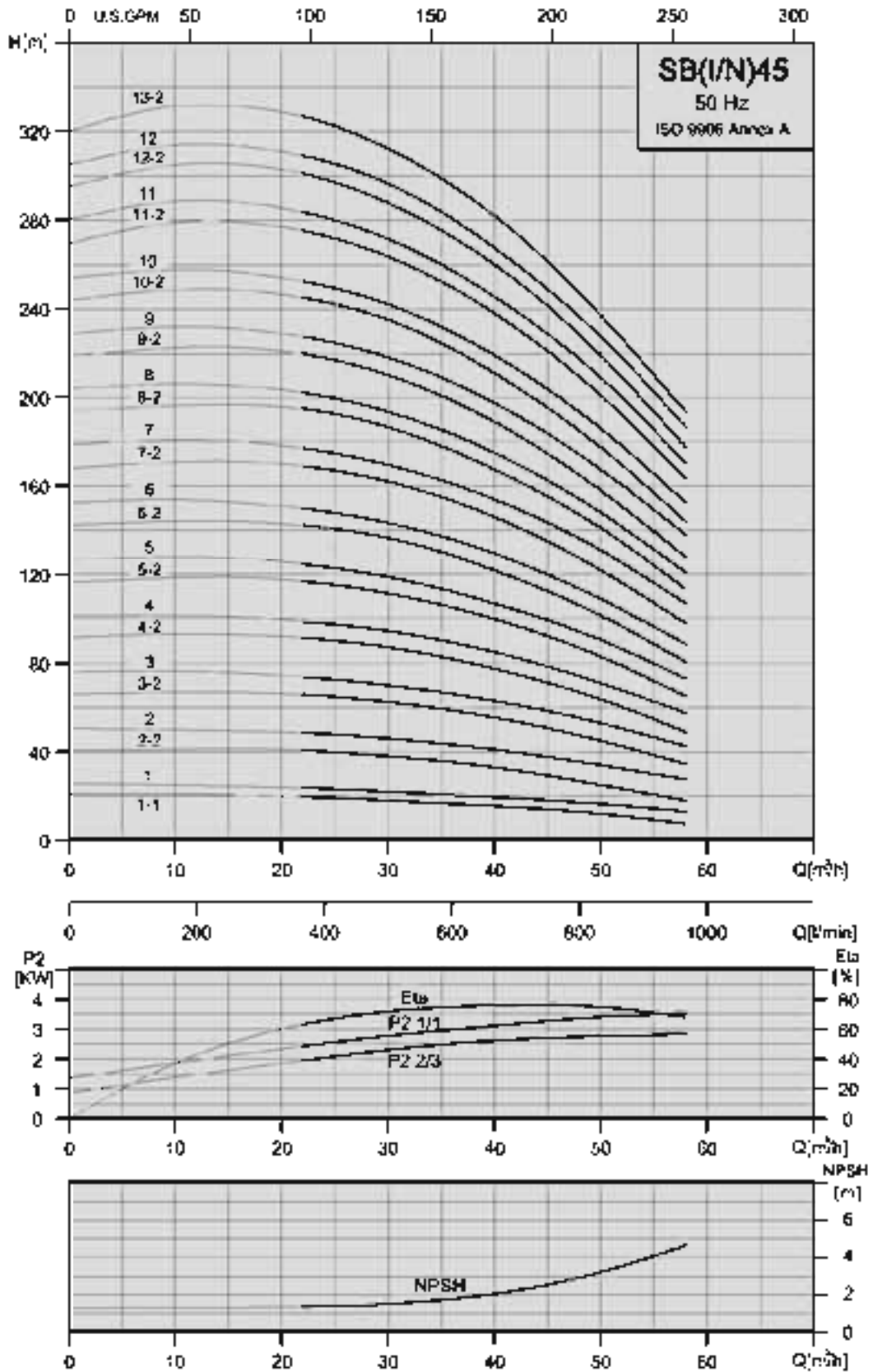
Pump type	Motor P ₁ (kW)	SBI,SBN					
		Dimension [mm]				DIN flange	Net weight [kg]
		DIN Range		D1	D2		
H1	H2						
SBI, SBN 32-1-1	1.5	504	779	175	140	280	64.6
SBI, SBN 32-1	2.2	504	779	175	140	280	66.7
SBI, SBN 32-2-2	3.0	574	894	196	148	280	75.6
SBI, SBN 32-2	4.0	574	908	219	162	280	82.6
SBI, SBN 32-3-2	5.5	644	1004	234	199	300	99.5
SBI, SBN 32-3	5.5	644	1004	234	199	300	99.5
SBI, SBN 32-4-2	7.5	714	1114	234	199	300	111.5
SBI, SBN 32-4	7.5	714	1114	234	199	300	111.5
SBI, SBN 32-5-2	11.0	834	1294	268	215	350	148.1
SBI, SBN 32-5	11.0	834	1294	268	215	350	148.2
SBI, SBN 32-6-2	11.0	864	1408	268	215	350	151.1
SBI, SBN 32-6	11.0	864	1408	268	215	350	151.2
SBI, SBN 32-7-2	15.0	1034	1523	268	215	350	165.2
SBI, SBN 32-7	15.0	1034	1523	268	215	350	165.2
SBI, SBN 32-8-2	15.0	1104	1593	268	215	350	168.4
SBI, SBN 32-8	15.0	1104	1593	268	215	350	168.4
SBI, SBN 32-9-2	18.5	1174	1709	317	242	350	206.0
SBI, SBN 32-9	18.5	1174	1709	317	242	350	206.1
SBI, SBN 32-10-2	18.5	1244	1779	317	242	350	208.6
SBI, SBN 32-10	18.5	1244	1779	317	242	350	208.7
SBI, SBN 32-11-2	22.0	1314	1893	317	242	350	222.0
SBI, SBN 32-11	22.0	1314	1893	317	242	350	222.0
SBI, SBN 32-12-2	22.0	1384	1963	317	242	350	224.6
SBI, SBN 32-12	22.0	1384	1963	317	242	400	224.6
SBI, SBN 32-13-2	30.0	1454	2077	317	290	400	312.5
SBI, SBN 32-13	30.0	1454	2077	317	290	400	312.5
SBI, SBN 32-14-2	30.0	1524	2147	317	290	400	315.1
SBI, SBN 32-14	30.0	1524	2147	317	290	400	315.1

Technical data

Vertical multistage centrifugal in-line pumps



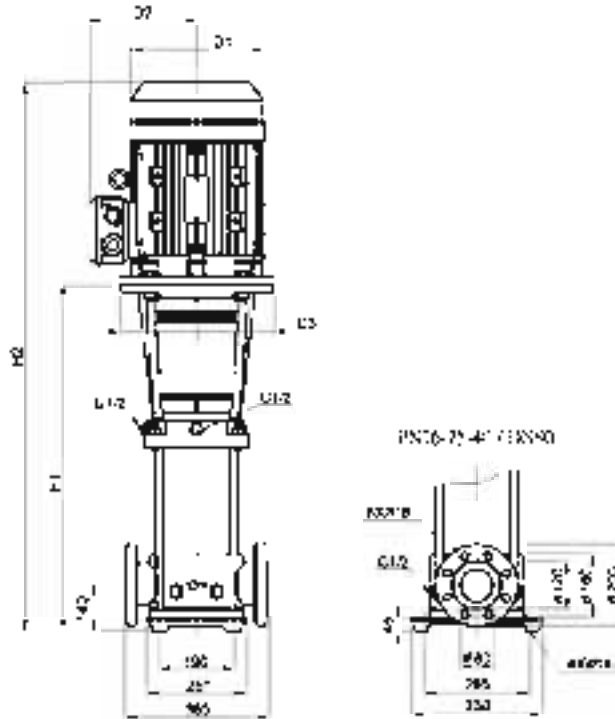
SBI, SBN 45



Technical data

Vertical multistage centrifugal in-line pumps

Dimensions and weights-SBI,SBN45



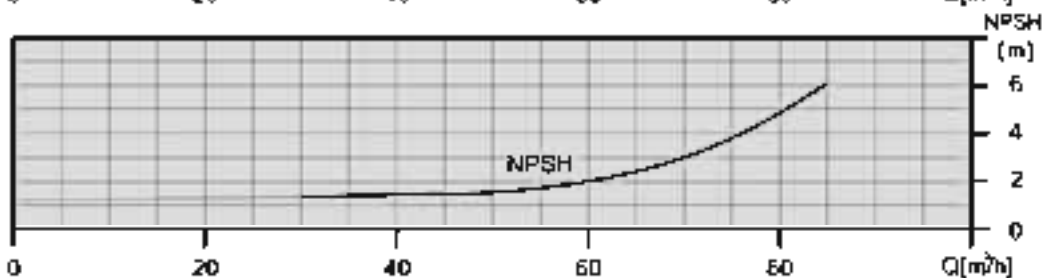
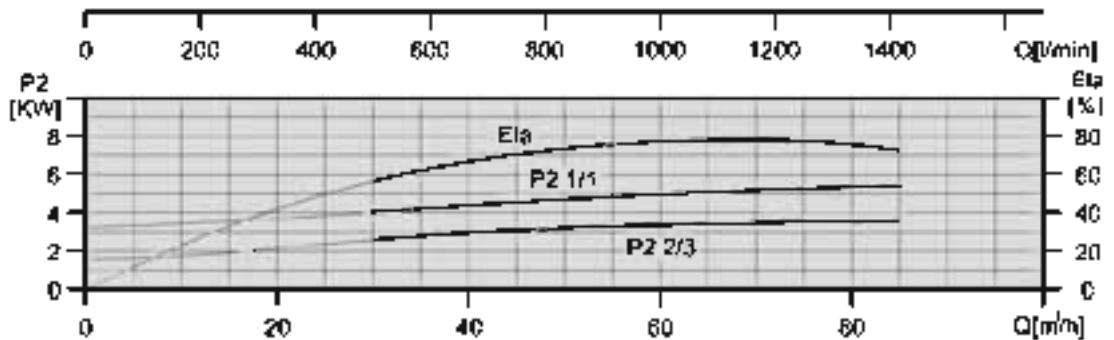
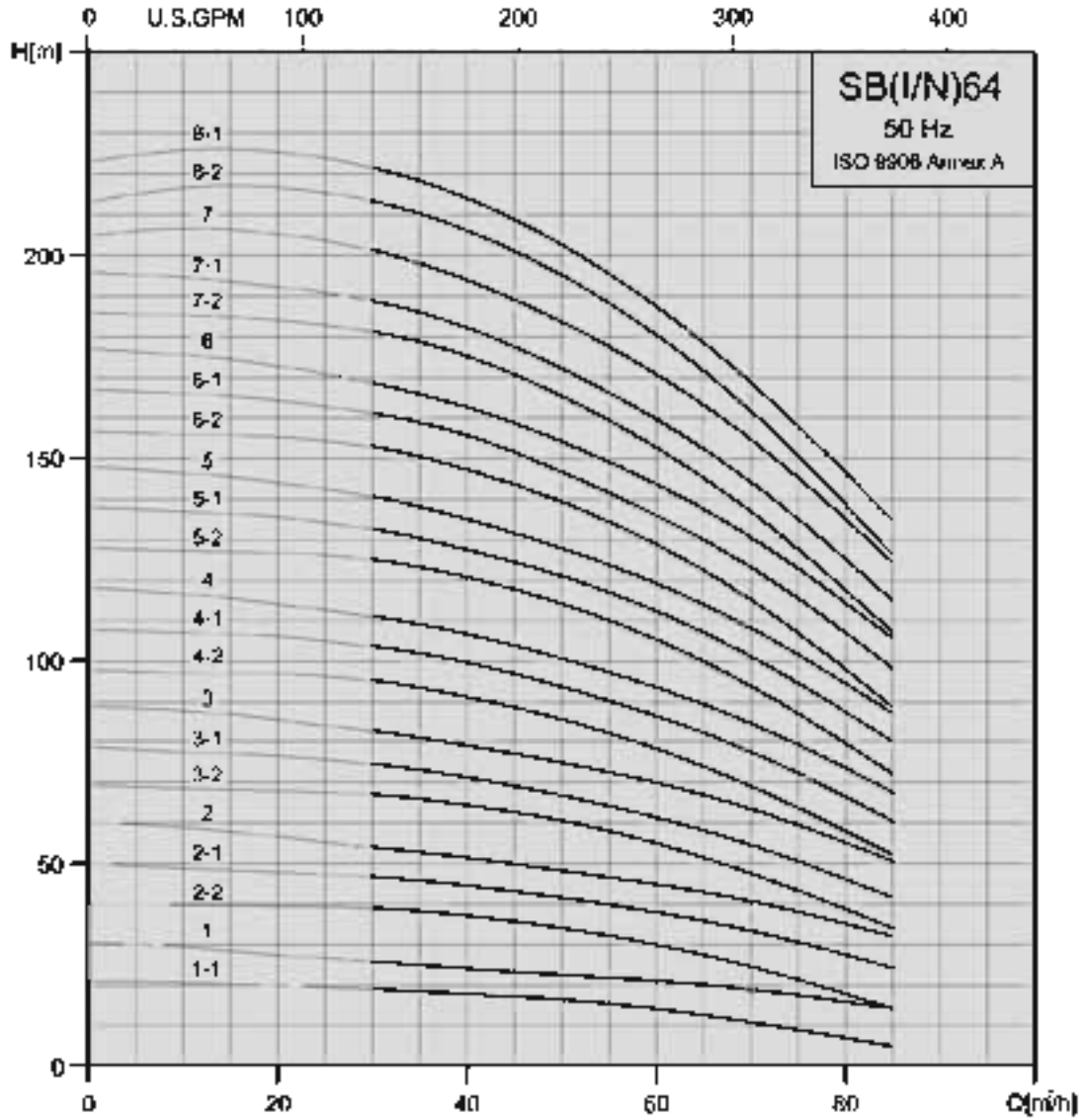
Pump type	Motor P _c [kW]	SBI,SBN					Net weight[kg]
		Dimension[mm]					
		DIN flange		D1	D2	D3	
		H1	H2				
SBI, SBN 45-1-1	3.0	550	879	190	148	280	79.3
SBI, SBN 45-1	4.0	559	894	219	162	280	85.3
SBI, SBN 45-2-2	5.5	639	999	234	199	300	103.8
SBI, SBN 45-2	7.5	630	1039	234	199	300	112.8
SBI, SBN 45-3-2	11.0	829	1274	268	215	350	150.0
SBI, SBN 45-3	11.0	829	1274	268	215	350	150.1
SBI, SBN 45-4-2	15.0	909	1359	268	215	350	164.7
SBI, SBN 45-4	15.0	909	1368	268	215	350	164.7
SBI, SBN 45-5-2	18.5	980	1524	317	242	350	203.4
SBI, SBN 45-5	18.5	989	1524	317	242	350	203.4
SBI, SBN 45-6-2	22.0	1069	1648	317	242	350	217.8
SBI, SBN 45-6	22.0	1069	1648	317	242	350	217.8
SBI, SBN 45-7-2	30.0	1149	1772	317	290	400	306.7
SBI, SBN 45-7	30.0	1149	1772	317	290	400	306.7
SBI, SBN 45-8-2	30.0	1229	1852	317	290	400	310.4
SBI, SBN 45-8	30.0	1229	1852	317	290	400	310.4
SBI, SBN 45-8-2	30.0	1309	1932	317	290	400	383.1
SBI, SBN 45-9	37.0	1309	2034	398	365	400	383.1
SBI, SBN 45-10-2	37.0	1389	2114	398	365	400	386.7
SBI, SBN 45-10	37.0	1389	2114	398	365	400	386.7
SBI, SBN 45-11-2	45.0	1469	2194	398	365	450	418.3
SBI, SBN 45-11	45.0	1469	2194	398	365	450	418.3
SBI, SBN 45-12-2	45.0	1549	2274	398	365	450	421.9
SBI, SBN 45-12	45.0	1549	2274	398	365	450	421.9
SBI, SBN 45-13-2	45.0	1829	2354	398	365	450	425.5

Technical data

Vertical multistage centrifugal in-line pumps



SBI, SBN 64

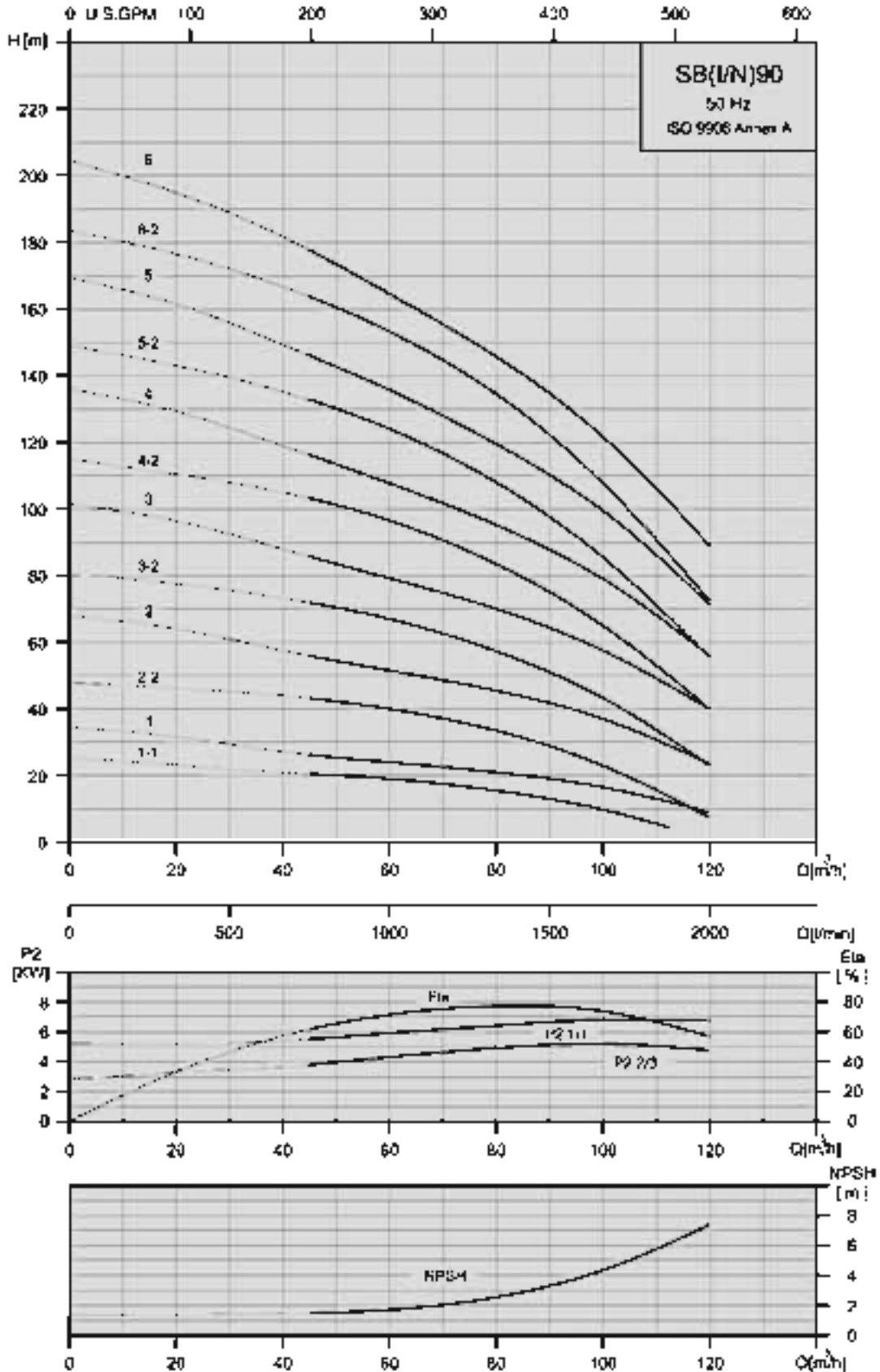


Technical data

Vertical multistage centrifugal in-line pumps



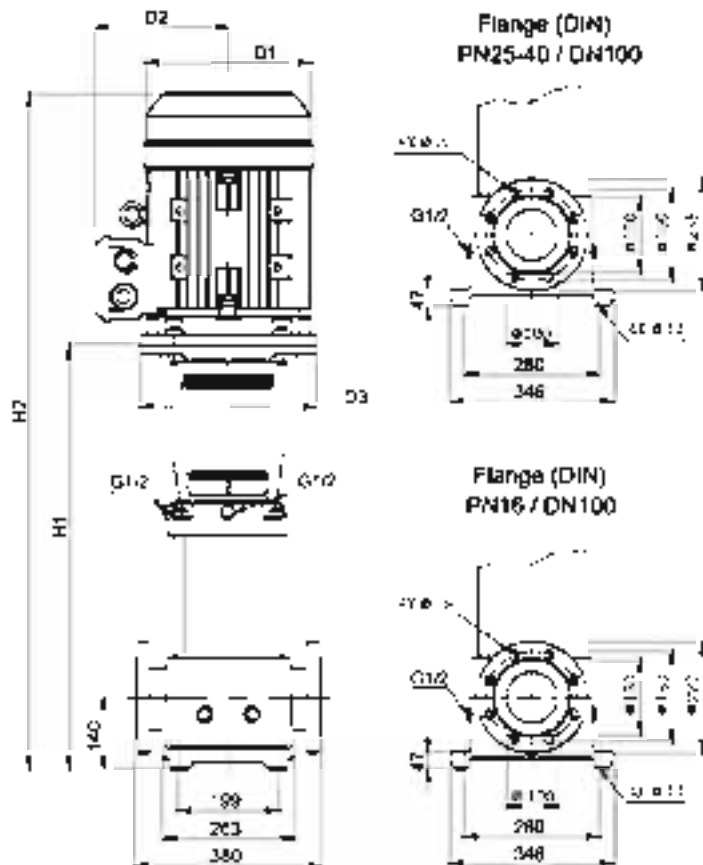
SB, SBI, SBN 90



Technical data

Vertical multistage centrifugal in-line pumps

Dimensions and weights-SB90



Pump type	Motor P ₂ [kW]	SB					Net weight [kg]	
		Dimension [mm]			D1	D2		D3
		DIN flange		DIN flange				
H1	H2	DIN flange						
SB 90-1-1	5.5	572	932	234	199	300	116.06	
SB 90-1	7.5	572	972	234	199	300	125.08	
SB 90-2-2	11.0	774	1219	268	215	350	163.82	
SB 90-2	15.0	774	1263	268	215	350	174.86	
SB 90-3-2	18.5	866	1401	317	242	350	214.94	
SB 90-3	22.0	866	1445	317	242	350	225.74	
SB 90-4-2	30.0	958	1581	317	290	400	316.08	
SB 90-4	30.0	958	1581	317	290	400	316.12	
SB 90-5-2	37.0	1050	1775	398	365	400	391.48	
SB 90-5	37.0	1050	1775	398	365	400	391.52	
SB 90-6-2	45.0	1142	1867	398	365	450	424.58	
SB 90-6	45.0	1142	1867	398	365	450	424.62	

